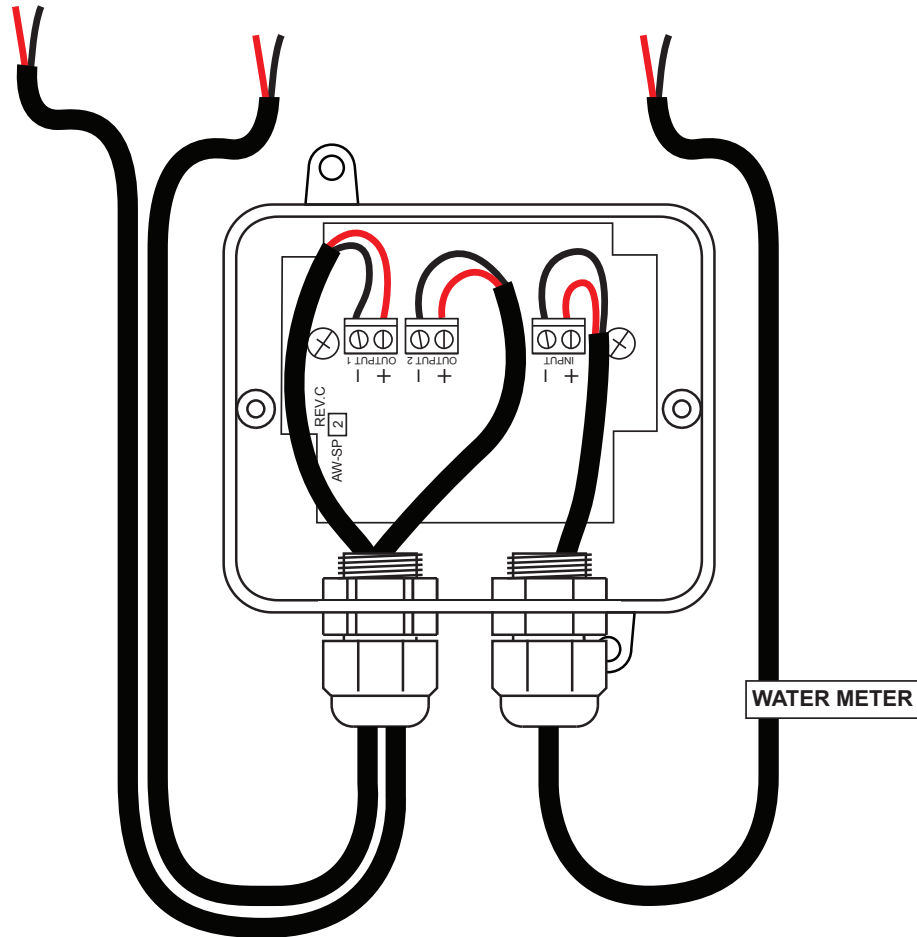
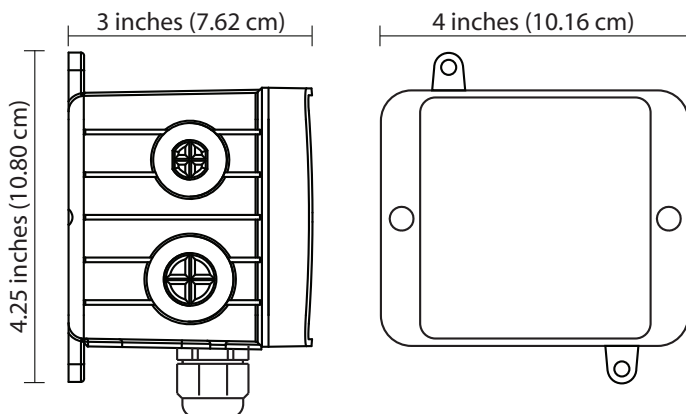


# AW-SP Signal Splitter



## Key Features

- Can be used with Hall Effect meter



## Application

The AW-SP-X water meter signal splitter enables the water meter to activate multiple controllers or pumps.

X = number of devices to be activated (3 max). AW-SP-2 will split the water meter signal to two devices.

Ensure polarity is correct when wiring. Positive from the controller's water meter input must go to positive on the AW-SP.