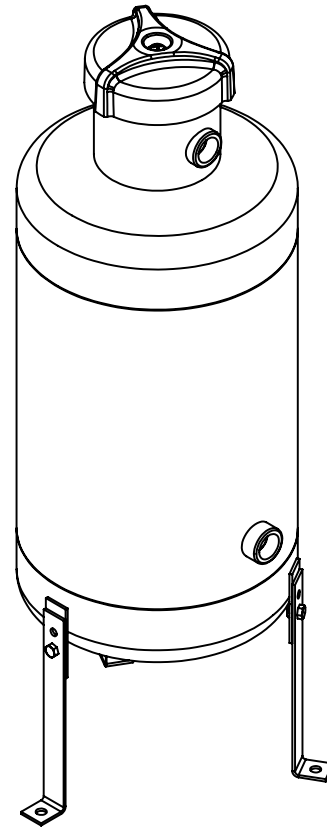


Bypass Feeder

Chemical Addition and Filtering



Key Features

- Powder Coated
- Handle-top filter holder
- Full bottom drain
- Flat and dome bottom models
- Custom configurations
- Adjustable leg kit
- ACME cap

Application

Bypass Feeders are designed to provide a dependable means of introducing treatment chemicals into hot and cold water, or other liquid streams, with a large filtration capacity.

Bypass Feeders have a simple design that provides easy installation and operation with precise filtering capabilities. The coarse ACME thread cap design provides better sealing and quick opening.

Build a Model

Select the desired capacity, bottom, and filter, plus any options.
(Example: BF-05DX)

BF- _____

Capacity

- 02 = 2 gallon
- 05 = 5 gallon
- 12 = 12 gallon

Bottom

- D = Dome with legs and bottom port
- F = Flat

Filter

- X = no filter
- 1 = 10" cartridge filter holder (20 micron hot filter included)
- 2 = 18" bag filter basket (25 micron bag included)

Accessory Kits

- BFK-ISOVALVES 3/4" brass isolation valves w/ unions & nipples
- BFK-DBDRAIN 3/4" brass drain valve & fittings for dome bottom
- BFK-FBDRAIN 3/4" brass drain valve & fittings for flat bottom
- BFK-GAUGEX 3/4" cross w/ 0-300 psi gauge, sample valve 180°F & fittings

Parts

- BF-BAG0518 18" x 3" bag filter, 05 micron
- BF-BAG2518 18" x 3" bag filter, 25 micron
- BF-BGCAGE18 Bypass feeder SS bag filter cage, 18"
- BF-CF05-10 10" cold water cartridge filter, 05 micron
- BF-CF20-10 10" cold water filter, 20 micron
- BF-HF05-10 10" hot water cartridge filter, 05 micron
- BF-HF20-10 10" hot water filter, 20 micron
- BF-CFCAGE10 Bypass feeder SS cartridge filter holder, 10"
- BF-CAP Bypass feeder cap assembly
- BF-LEGS Bypass feeder leg kit
- BF-ORING Bypass feeder cap o-ring
- BF-PG 0-300 psi pressure gauge
- BF-PLATE Bypass feeder cap plate
- FLOW-2HT 3/4" flow indicator; 145 psi, 212°F max
- SFS-BV 1/4" brass bleed valve, 180°F max

Specifications

Pressure

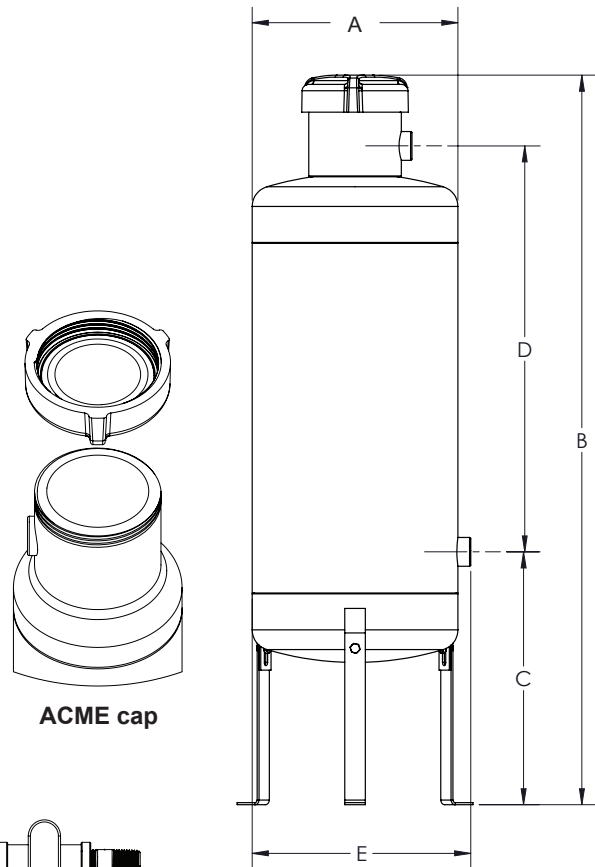
0-200 psi (0-13.6 bar)

Shipping Weight (approximately)

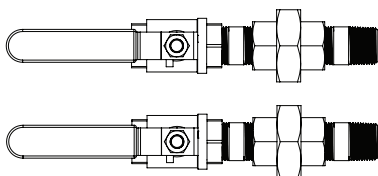
- 2 gallon (including legs) = 24.5 lbs (11.11 kg)
- 5 gallon (including legs) = 35.5 lbs (16.1 kg)
- 12 gallon (including legs) = 52 lbs (23.59 kg)
- Basket = 0.6 lb (0.27 kg)
- Filter Holder = 0.85 lb (0.39 kg)

Dimensions

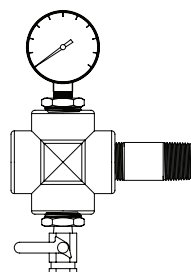
Model	A	B	C	D	E
BF-02D	6"	34"	10.8"	19.7"	6.6"
BF-02F	6"	26.7"	3.6"	19.7"	6.6"
BF-05D	10"	35.5"	12.3"	19.8"	10.6"
BF-05F	10"	27.5"	4.3"	19.8"	10.6"
BF-12D	10"	49.5"	12.3"	37.2"	10.6"
BF-12F	10"	45"	4.3"	37.2"	10.6"



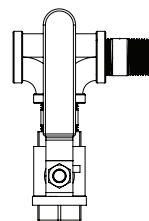
ACME cap



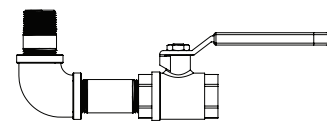
BFK-ISOVALVES



BFK-GAUGEX



BFK-FBDRAIN



BFK-DBDRAIN

Get the Advantage

