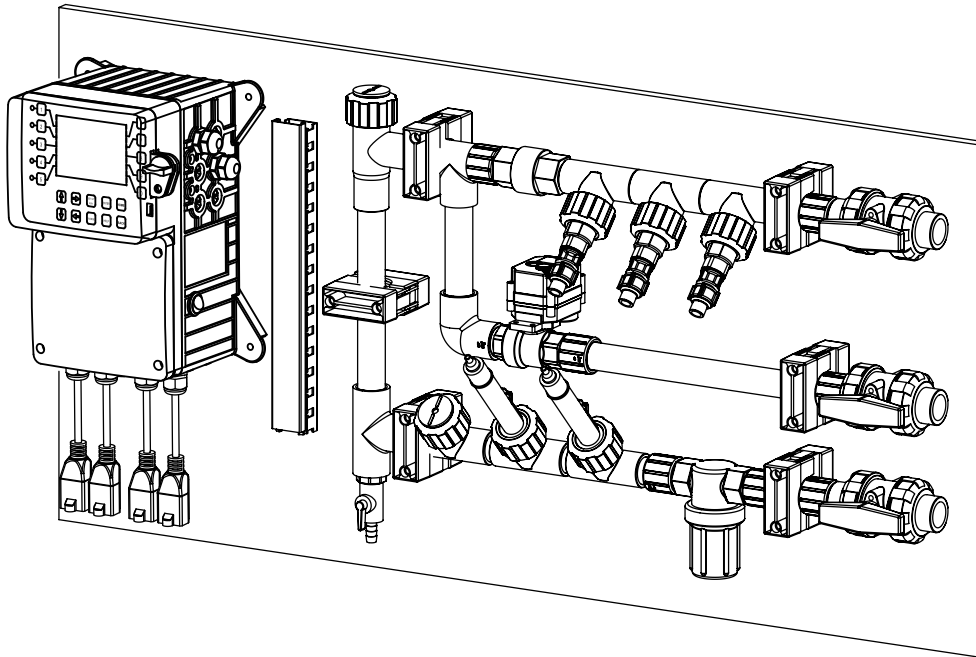


Pre-Fab Systems

CM Controller Mount Boards



Key Features

- Simplify Installation
- Convenient Configuration
- Sample Stream Options
- Customize to Your System
- Corrosion Resistant Panel
- Save Time and Money
- Professional Appearance

Application

Advantage Controls prefabricated systems simplify the installation of water treatment control equipment, saving time and money.

CM controller mount boards economically accommodate a single controller with your customized sample stream configuration.

Sample streams can include isolation valves, strainer, back check, quick release injection tees, corrosion coupon holders and a bleed-off leg.

Controller Mount Boards

Start with number code for desired panel size. Then select options for loop material, injection tees, probe tees, strainer options, etc. Sample loops selected with the A option will include isolation valves and a sample port.

Note: Dimensions shown will change based on features selected as each panel is a unique custom fabrication.

CM _____

Board Dimensions and Loop Options _____

00 = Partially assembled plumbing only, no panel
05 = 24" wide x 18" tall board for single loop only, no controller mount area
10 = 34" wide x 18" tall board for single controller and loop
20 = 52" wide x 18" tall board for dual loop systems

Loop Material with valves, strainer, back check and sample (*no strainer & check) _____

A = 3/4" PVC **A0** = no loop **A1** = 1" PVC
A2 = 3/4" Black iron **A3** = 3/4" Copper **A4** = 1" Black iron*
A6 = 3/4" brass valves on PVC loop **A7** = 3/4" SS valves on PVC loop

Injection Tees _____

3/4" PVC	1" PVC	1" CPVC	3/4" Black Iron	1" Iron
B1 = 1 tee, B2 = 2 tees, B3 = 3 tees, B4 = 4 tees	B11, B12, B13, B14	B21, B22, B23, B24	B31, B32, B33, B34...	B41, B42, B43, B44

Probe Tees Total number of tees not counting flow tee _____
(Only needed if different than controller ordered)

3/4" PVC Quick Release	1" PVC Quick Release	1" Black Iron
C1 = 1 tee, C2 = 2 tees, C3 = 3 tees	C21, C22, C23	C41, C42, C43

Strainer Options (3/4" basket strainer included as standard) _____

E = 3/4" Basket	E1 = 3/4" Flushable Y	E2 = 3/4" 10" Filter Housing
E4 = 1" Basket Strainer	E5 = 3/4" Black Iron Strainer	E6 = 1" Clear Basket

Flow Indicator 1-10 gpm _____

F = 3/4" 100PSI	F2 = 3/4" 145PSI	F3 = 3/4" 100PSI with flow switch
------------------------	-------------------------	--

J = Bleed off leg (Order bleed valve separate) w/ shut-off valve _____

Loop Direction (Standard is in and out on the right) _____

K = In/Out Left	K1 = Left to Right	K2 = In/Out Bottom	K3 = In/Out Top	K4 = Right to Left
------------------------	---------------------------	---------------------------	------------------------	---------------------------

Corrosion Sensor Tees 90° _____

M1 = 1 PVC 3/4", M2 = 2 PVC 3/4"	M11 = 1 PVC 1", M12 = 2 PVC 1"	M21 = 1 Iron 1", M22 = 2 Iron 1"
--	--	--

Controller Mount Area (Only needed if ordered without a controller) _____

N = MegaTron XS	N1 = MegaTron	N2 = MegaTron + 1 relay box	N3 = MegaTron + 2 relay boxes
N4 = Micro / Nano-W	N5 = NanoTron	N6 = R Pump	

Q = Backcheck _____

Whole Pre-Fab Options _____

P = Wire channel duct	R = Mounting rails (required w/ H's)	S = Electrical junction box
T = Weather shield (37" wide max)	U = 1/2" Blue poly panel	X = Circulation pump (4 GPM)
Y = Non ACI equip to be supplied		

Get the Advantage



4700 Harold Abitz Dr
Muskogee, OK 74403
918-686-6211 phone
888-686-6212 fax
www.advantagecontrols.com