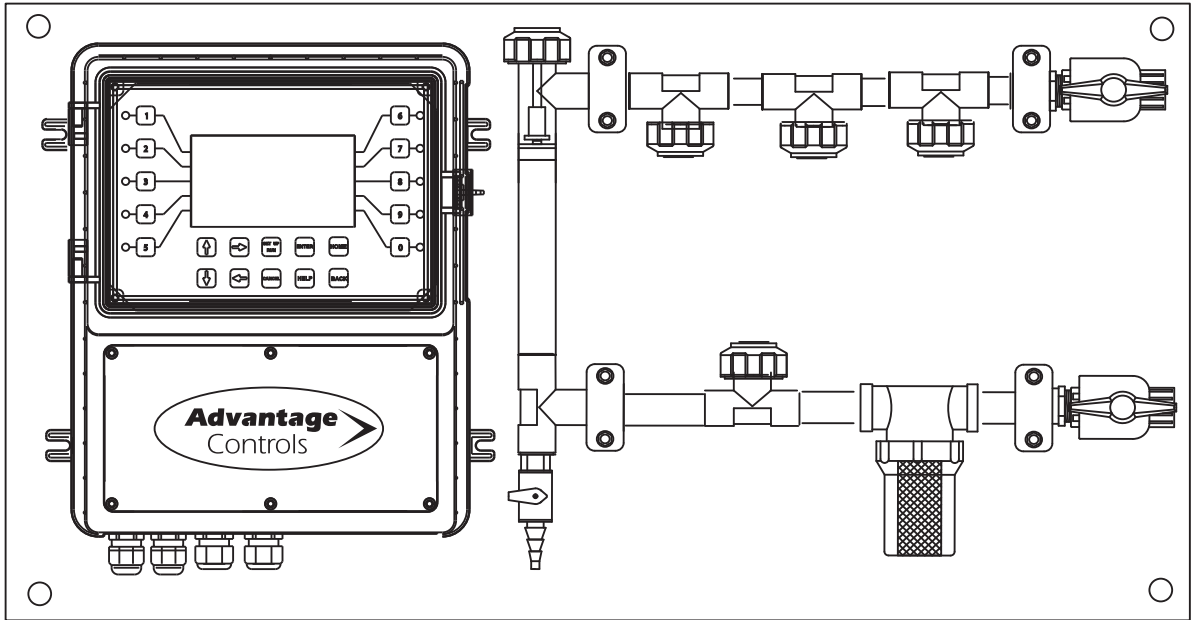


Pre-Fab Systems

CMB & PMP



Key Features

- Simplify Installation
- Convenient Configuration
- Sample Stream Options
- Customize to Your System
- Corrosion Resistant Panel
- Save Time and Money
- Professional Appearance

Application

Advantage Controls prefabricated systems simplify the installation of water treatment control equipment, saving time and money.

CMB controller mount boards economically accommodate a single controller and include a 3/4" PVC sample stream.

PMP are for mounting the Series R pumps complete with a 3/4" PVC sample stream.

Build a Model

Build a model for a CMB & PMP with desired options. For isolation valves and strainer on CMB's option V must be added. They're standard on PMP's.

CMB- _____

- 05** 1 flow assembly panel, no controller
- 10** 1 flow assembly panel with controller area
- 20** For 2 flow assemblies and up to 8 pumps

Optional Features

- B1** 1 Injection Tee
- B2** 2 Injection Tees
- B3** 3 Injection Tees
- B4** 4 Injection Tees
- C** Flow Indicator, 7.5 " long, 1-10 gpm
- D1** 3/4" Black Iron Piping in Place of PVC
- E** 1" CPVC Injection Tee Assembly Only
- K** 1" corrator probe tee opening
- L** Plumbing in and out on the left instead of standard right (CMB-05 and 10 only)
- Q** Backcheck Valve
- R** Bleed off Leg 3/4" includes Shut Off Valve
- T** Poly weather shield, 38" wide by 15" deep over top of panel
- U** Blue 1/2" poly panel
- V** Shut Off Valves and Strainer

PMP- _____

- 50** One flow assembly panel, no controller

Optional Features

- B1** 1 Injection Tee
- B2** 2 Injection Tees
- D1** 3/4" Black Iron Piping in Place of PVC
- E** 1" CPVC Injection Tee Assembly Only
- Q** Backcheck Valve
- R** Bleed off Leg 3/4" includes Shut Off Valve

Specifications

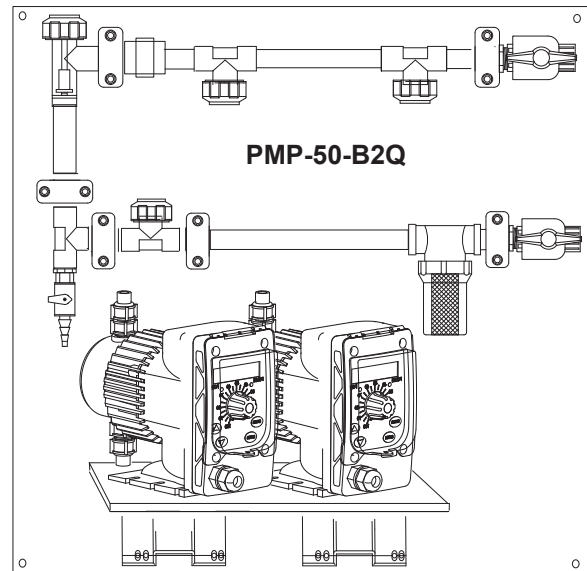
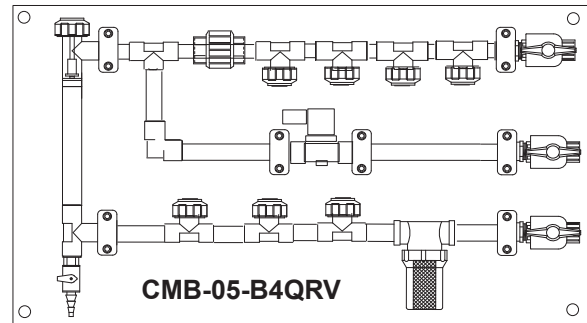
Dimensions

- CMB-05** 24"W x 18" H
- CMB-10** 34"W x 18" H
- CMB-20** 52"W x 18" H

- PMP-50** 27"W x 27"H

Materials of Construction

- CMB** Heavy Duty Polyethylene
- PMP** Heavy Duty Polyethylene



NOTE: Controller, pumps, and bleed valves are ordered separately.

Get the Advantage



4700 Harold Abitz Dr
 Muskogee, OK 74403
 800-743-7431 phone
 888-686-6212 fax
www.advantagecontrols.com