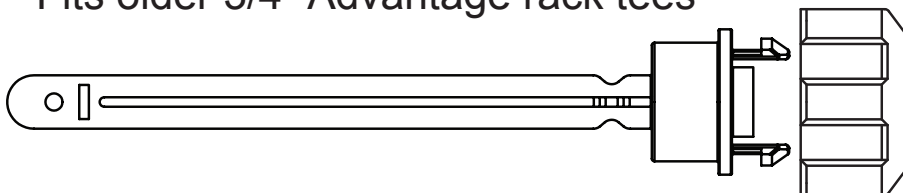
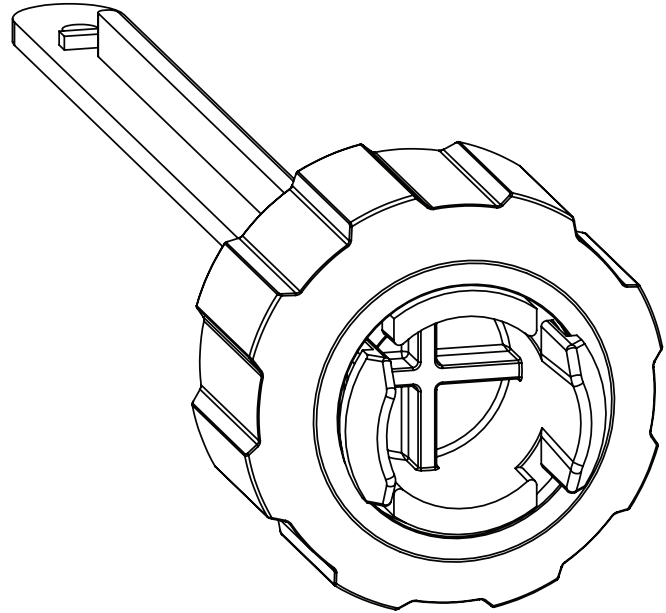


Coupon Holder

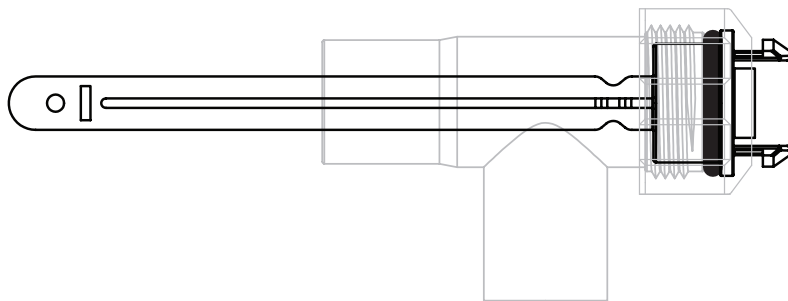
Upgrade your old quick release coupon holder with our new design.

Key Features

- One piece solid design
- Position indicator
- O-ring captured with PE-NUT
- Tabs allow positioning
- Raised tab prevents coupon rotation
- Fits older 3/4" Advantage rack tees

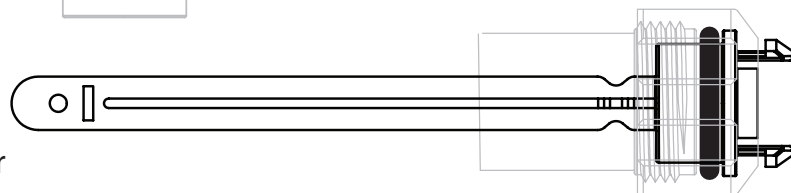


ACR-CH-QH
Complete holder, nut and o-ring with no tee



ACR-CH
Complete holder, nut, o-ring and 3/4" tee

ACR-CH-1
Complete holder, nut and o-ring with 1" male slip quick release adaptor



Get the Advantage