

EchoPod®

Ultrasonic Level Sensor

Continuous Drum Level Monitoring



Key Features

- Rugged PVDF transducer and polycarbonate enclosure
- Compact design
- Provides 4-20mA output
- Order pre-configured for easy start-up

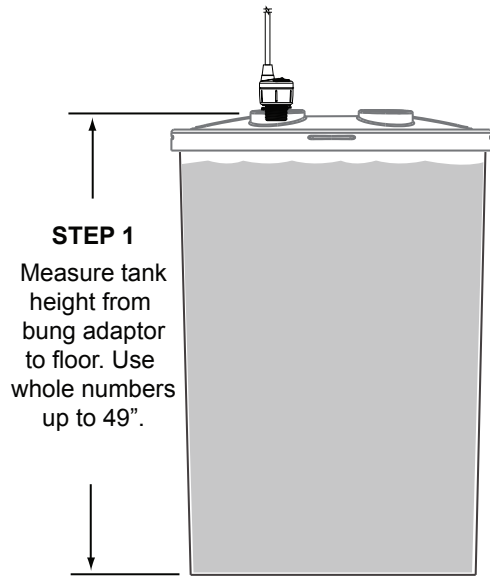
Application

The general purpose ultrasonic sensor provides non-contacting level measurement up to 49" (124 cm) or 9.8' (3 m) with a 4-20mA output.

The two-wire 4-20mA output requires a 24 VDC loop power supply and will work for signal distances up to 1000 feet.

The sensor is well suited for a wide range of media and atmospheric tank sizes.

Build a model



Pick a model that is closest to the height of your drum.

Models

- DL10-45** Pre-calibrated to a 45" tall drum
- DL10-40** Pre-calibrated to a 40" tall drum
- DL10-35** Pre-calibrated to a 35" tall drum
- DL10-30** Pre-calibrated to a 30" tall drum
- DL10-25** Pre-calibrated to a 25" tall drum
- DL10-00** No pre-calibration 0-49"
- DL24-00** No pre-calibration 0-9.8'

Options

- K** Adds a CABLE-7P-2A to sensor

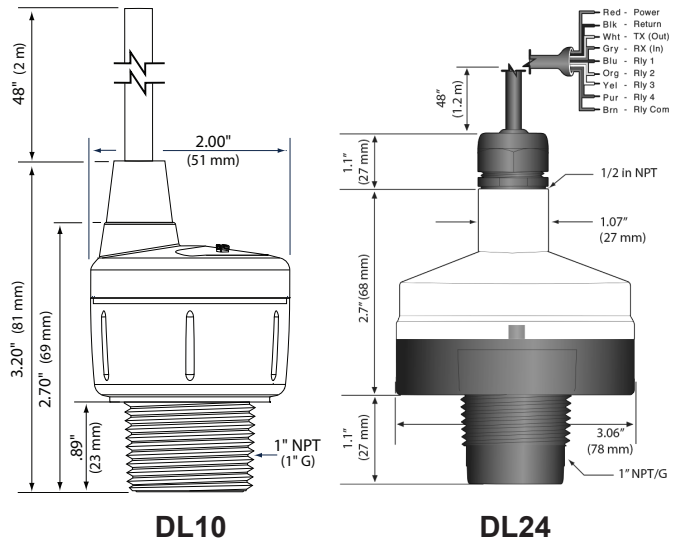
Parts

- PSDC-24** = Power supply for 1 sensor
- PSDC-24-Q** = Power supply for 1-4 sensors
- L199-1001** = USB fob for configuration
- 2C4A-116** = 2" to 1" reducer bushing
- CABLE-FOB-7P** = Cable to connect K option units to FOB

- Note:**
1. Sensors require 24 volt DC power supply.
 2. The PSDC-24-Q can power up to 4 level sensors.
 3. The USB fob is only needed if you want to change the ordered / programmed lengths.
 4. Pre-calibrated units can have calibration fine tuned in MegaTrons if drum sizes are a little different.

Specifications

	DL10	DL24
Range:	Up to 49"(124 cm)	Up to 9.8' (3 m)
Accuracy:	0.125" (3 mm)	±0.2%
Resolution:	0.019" (0.5 mm)	0.039" (1 mm)
Beam width:	2" (5 cm)	2" (5 cm)
Dead band:	2" (5 cm)	4" (10 cm)
Supply voltage:	24 VDC (loop)	24 VDC (loop)
Loop resistance:	400Ω max @ 24 VDC	
Consumption:	0.5W	
Signal output:	4-20 mA , two-wire reversible mA	
Loop fail-safety:	4 mA, 20 mA, 21 mA, 22 mA, hold last	
Configuration:	WebCal® USB 2.0	
Temp. comp.:	Automatic over range	
Process temp.:	F: -20° to 140° C: -7° to 60°	
Ambient temp.:	F: -31° to 140° C: -35° to 60°	
Pressure:	MWP = 30 PSI	
Enclosure:	Type 6P encapsulated, corrosion resistant & submersible	
Encl. material:	Polycarbonate	
Strain relief mat.:	Santoprene	
Trans. material:	PVDF	
Cable length:	48" (121 cm)	
Cable jacket mat.:	Polyurethane	
Process mount:	1 inch or *2 inch NPT (*2 inch with included adapter)	
Mount. gasket:	Viton®	
Classification:	General purpose	
Approvals:	CE, cFMus	



Get the Advantage



4700 Harold Abitz Dr
 Muskogee, OK 74403
 800-743-7431 phone
 888-686-6212 fax
www.advantagecontrols.com