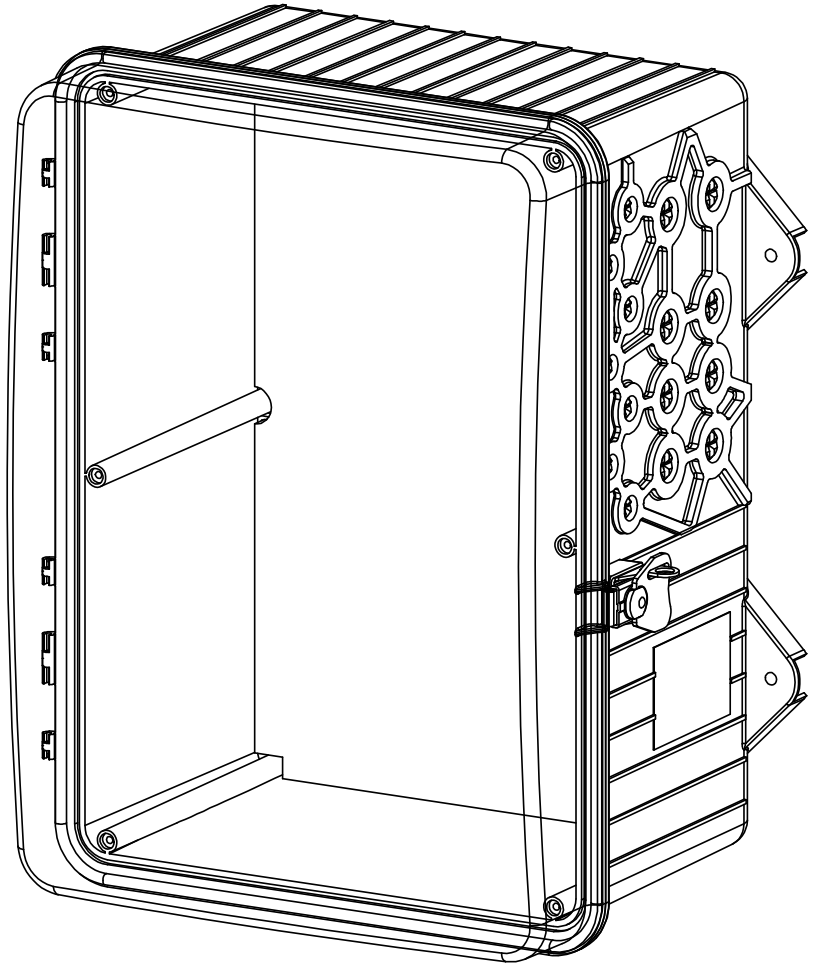


Multi-Box

Plastic Enclosure



Key Features:

- Rugged ABS construction
- Clear or black cover
- Added weather protection
- Lockable cover
- Prevents tampering

Application

Multiple use NEMA 4X style plastic enclosure with a clear hinged lid, lockable stainless steel latch, liquid tight knock-outs and external mounting feet.

Can be mounted vertically or horizontally. Ideal for mounting controllers* or metering pumps for added protection and safety.

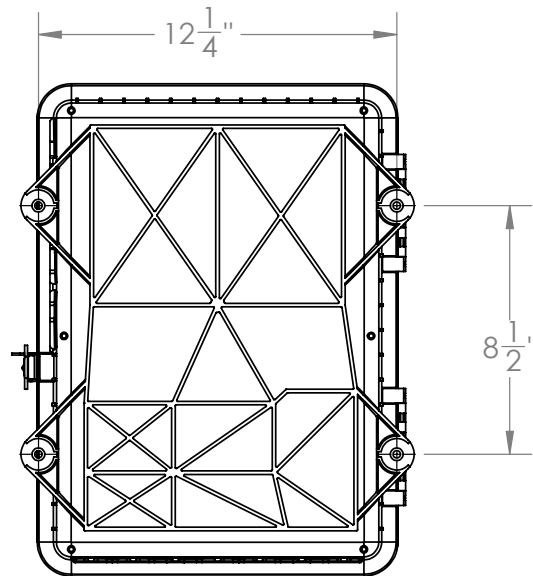
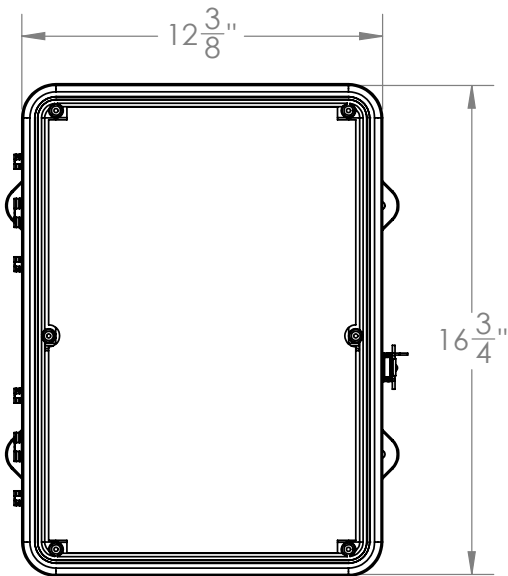
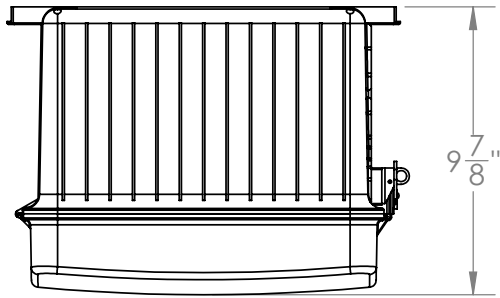
*Full size MegaTrons will not fit in multi-box

Build a Model

The model number starts with MULTI-BOX followed by any additional options. Example: MULTI-BOX-BP

Options

- B** = Black cover
- G** = Grommet Package
- P** = Back panel, 1/2" blue poly
- X** = Mount separately ordered controller or pump in box



Get the Advantage



4700 Harold Abitz Dr
Muskogee, OK 74403
800-743-7431 phone
888-686-6212 fax
www.advantagecontrols.com