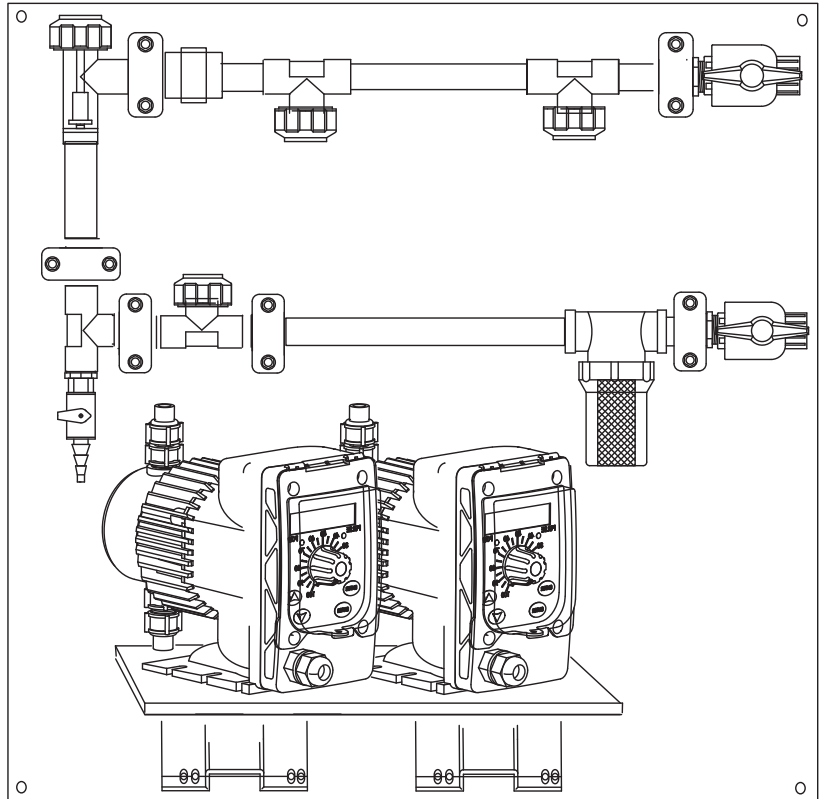


# Pre-Fab Systems

## PMP Pump Mount Boards



PMP-50-B2Q

### Key Features

- Simplify Installation
- Convenient Configuration
- Sample Stream Options
- Customize to Your System
- Corrosion Resistant Panel
- Save Time and Money
- Professional Appearance

### Application

Advantage Controls prefabricated systems simplify the installation of water treatment control equipment, saving time and money.

PMP are for mounting the Series R pumps complete with a 3/4" PVC sample stream.

## Build a Model

Build a model for a PMP with desired options. Isolation valves and strainer are standard on PMP's.

**PMP-** \_\_\_ - \_\_\_\_\_

**50** One flow assembly panel, no controller

### Optional Features

- B1** 1 Injection Tee
- B2** 2 Injection Tees
- D1** 3/4" Black Iron Piping in Place of PVC
- E** 1" CPVC Injection Tee Assembly Only
- Q** Backcheck Valve
- R** Bleed off Leg 3/4" includes Shut Off Valve

**NOTE:** Controller, pumps, and bleed valves are ordered separately.

## Specifications

### Dimensions

**PMP-50** ..... 27"W x 27"H

**Note:** Dimensions may change depending on options selected.

### Materials of Construction

**PMP** ..... Heavy Duty Polyethylene

---

**Get the Advantage**