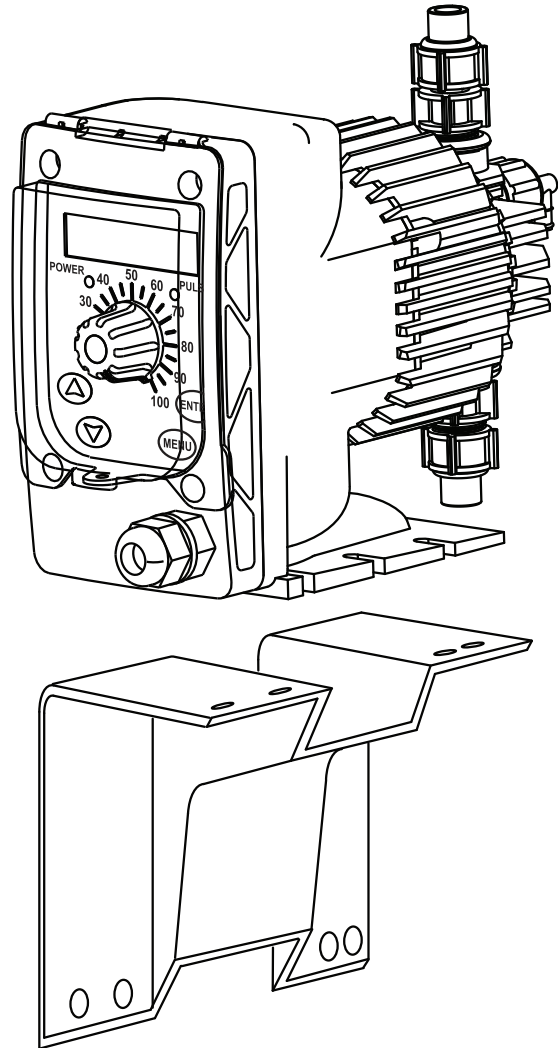


Item R00225

Pump Mounting Bracket



Key Features

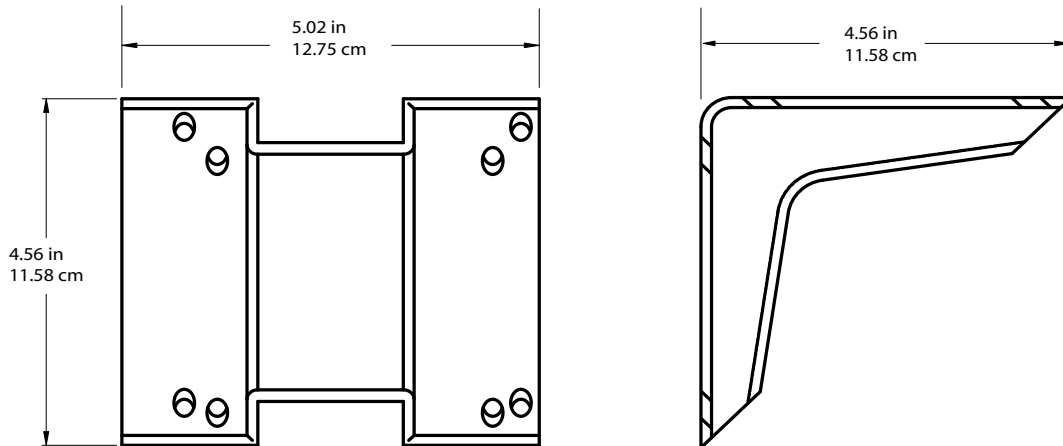
- Saves Time
- Saves Money
- Simplifies Installations
- Professional Appearance
- Chemical Resistant
- Keeps Pump Secure
- Includes Mounting Hardware

Description

Give all of your pump installations a professional appearance. Save time and money with Advantage Controls' plastic mounting bracket assembly R00225 to mount your MicroTron metering pump.

Constructed of chemical resistant industrial thermoplastic material and provided with pump mounting hardware, the sturdy bracket insures your MicroTron metering pump will stay securely installed.

Bracket Dimensions

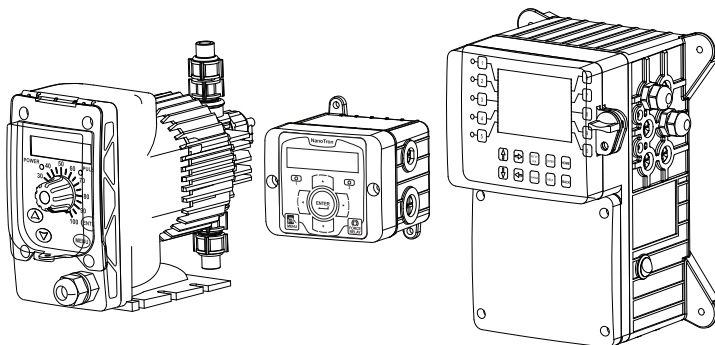
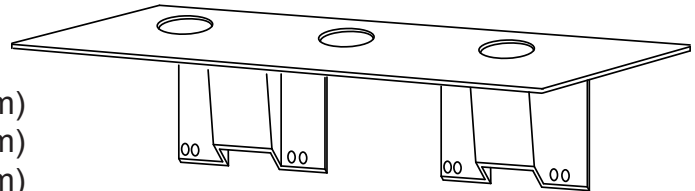


Pump Mounting Shelves

Preassembled pump mounting shelves are also available using our pump brackets and a polyethylene panel with suction tubing holes. All pump mount shelves are 9.25" deep (23.50 cm).

Models

- PMS-02** Two pump shelf, 15" long (38.1 cm)
- PMS-03** Three pump shelf, 24" long (60.96 cm)
- PMS-04** Four pump shelf, 32" long (81.28 cm)



Advantage Controls offers a complete line of water treatment controls and feed equipment. We look forward to helping you *Get the Advantage* on all of your water treatment equipment needs.

Get the Advantage

