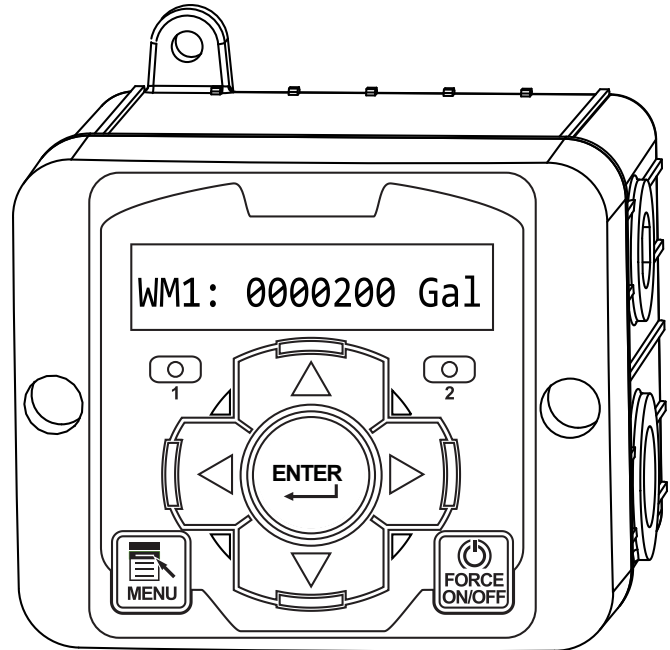


RCT-NANO

Remote Water Meter Totalizer



Key Features

- Compact Design
- Simple Step Through Menu
- NEMA 4X Style Enclosure
- Raised Dome Keypad
- Non-Volatile Memory
- Two Water Meter Totalizers
- Prewired Configuration

Application

The RCT-NANO is a compact microprocessor monitor that will display the accumulated total flow volume of one or two water meter inputs. The ETL/CSA approved unit will operate with 100-240 VAC and come standard with an American plug.

Contact value and units of measure can be defined using a wide range of options, allowing for compatibility with contacting head and paddle wheel style flow meters.

Specifications

Electrical

- **Input:** 100-240 VAC, 50/60 Hz
- **Water Meter:** Dry contact
Hall-effect; +5 VDC input

Operational

- **Display:** LCD 1 x 16 backlit alphanumeric

Enclosure

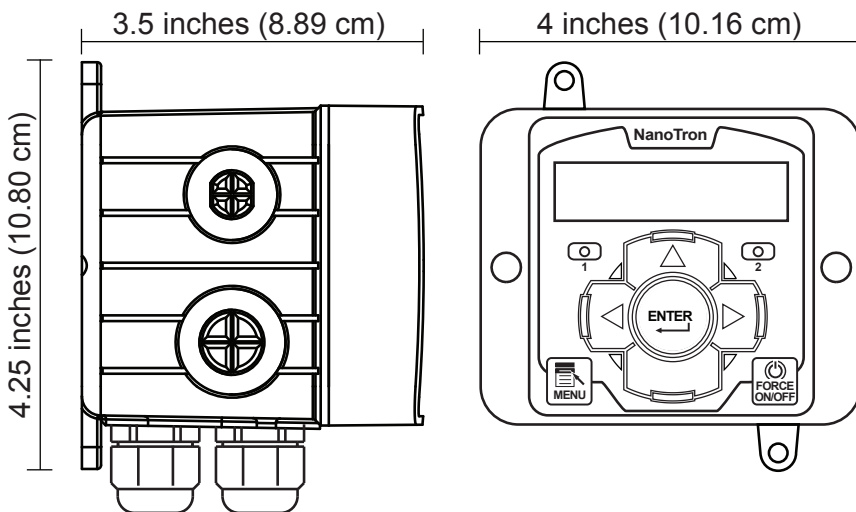
NEMA 4X style high impact thermoplastic

Environment

Ambient temperature: 0° to 125°F (-17 to 52°C)
Relative humidity: 0 to 100%

Shipping Weight: Approximately 2 lbs. (0.91 kg)

Dimensions: Width: 4" (10.16 cm)
Height: 4.25" (10.80 cm)
Depth: 3.5" (8.89 cm)



Get the Advantage

