

**Model RT-1
Recycle Timer
Instruction & Maintenance Manual**

Table of Contents

Contents	Page No.
I. Introduction.....	2
A. Description	2
II. Installation	
A. Typical Installation Drawing	2
B. Mounting Instructions	2
III. Front Panel	
A. Front Panel Drawing	3
B. Front Panel Description	3
IV. Start Up and Operation	4
V. Optional Features	4
VI. Troubleshooting	4
VII. Warranty	5
VIII. Mounting Template	6

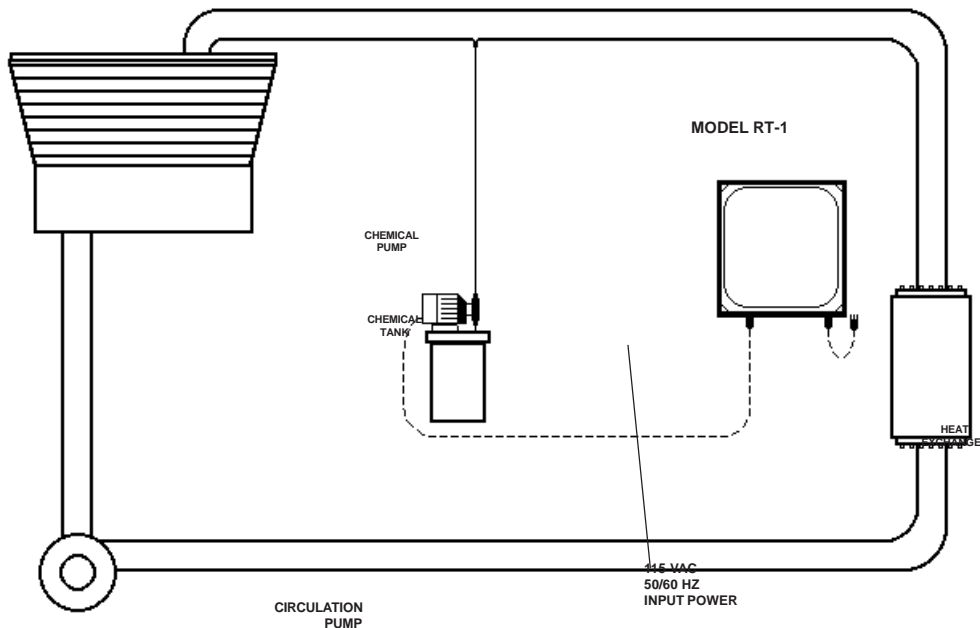
I. Introduction

Description of Unit

The RT-1 recycle timer is used for controlling chemical pumps, agitators, and other equipment where intermittent operation is desired or necessary. The controller supplies power to an electrical device for a preset amount of time. The operator can adjust the time between operations (cycle time) and the duration of the operation (on-time). The time cycle is repeated continuously as long as power is supplied to the timers. Outputs of up to 1/4 HP motor load or 15 amps non-inductive load are safely handled.

Each unit is furnished in a prewired, NEMA 4X type heavy duty thermoplastic enclosure with padlockable Lexan window. The Model RT-1 is supplied with an 8 foot, 3 wire power cord, and one 11 inch female power output drop plug.

II. Installation



A. Typical Installation

B. Mounting Instructions

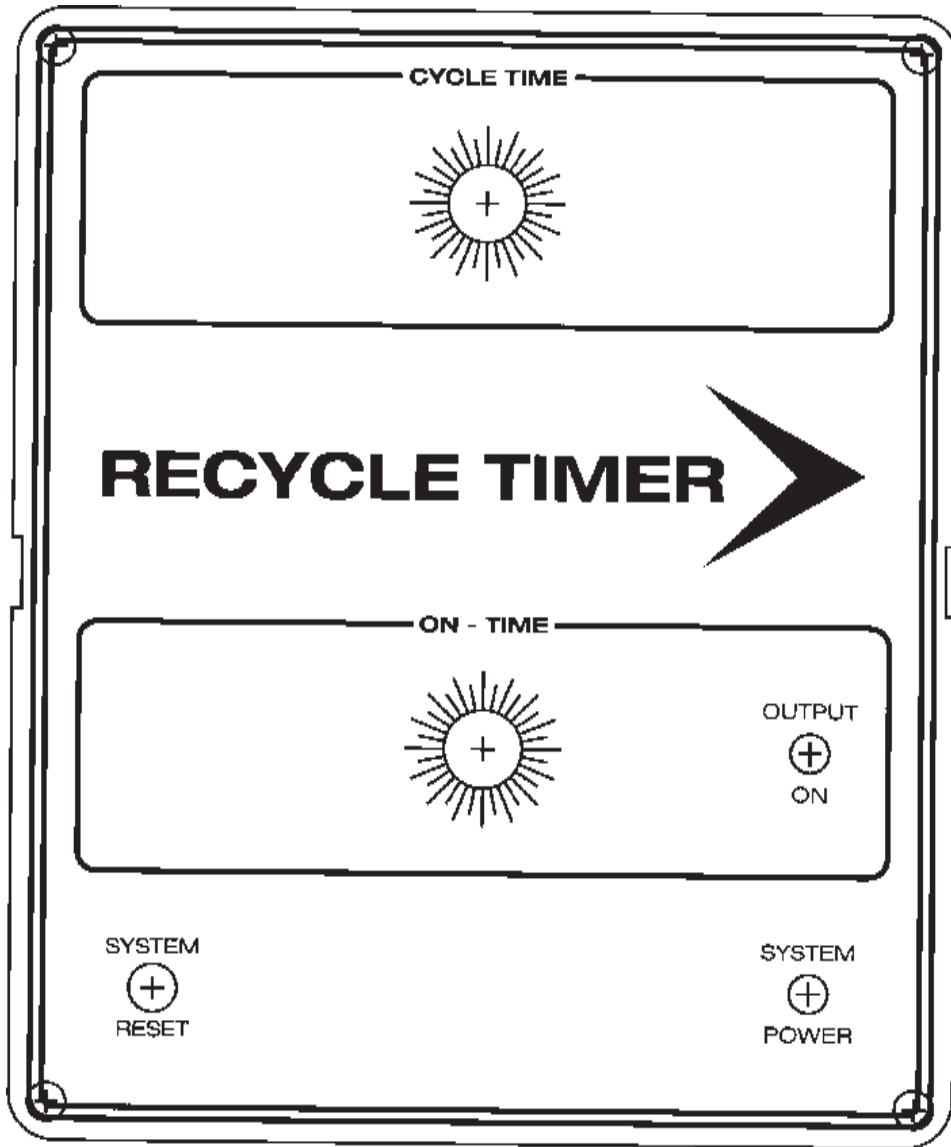
The RT-1 is completely prewired for ease in installation. Select a mounting location convenient to electrical connections and accessible by the operator.

Mount the controller on the wall. Position so operator has access to the unit and a clear view of the controls through the cover of the controller. Use the enclosed mounting template for aid in mounting the controller.

NOTE: The RT-1 is fused for a 15 amp resistive load. This will support operation of most light and medium duty chemical pumps.

Do not attempt to operate a motor larger than 1/4 hp from the controller circuit. Use a motor contactor.

III. Front Panel



A. Front Panel Drawing

B. Front Panel Description

CYCLE TIME DIAL:	Used to set amount of time between controlled events. Each "click" is 15 minutes, maximum setting 7 hrs 45 min.
SYSTEM POWER LED:	Lights whenever power is supplied to unit.
SYSTEM RESET SWITCH:	Depressing this switch restarts the cycle, so that if cycle time is set to 3 hours, depressing the switch will cause the on-times to activate in 3 hours.
OUTPUT ON LED:	Lights whenever the on time relay is activated.
ON TIME DIAL:	Used to set the amount of time the controlled device is to be operated.

VII. Advantage's Product Warranty

Manufacturer warrants control systems of its manufacture to be free of defects in material or workmanship. Liability under this policy extends for 24 months from date of installation. Liability is limited to repair or replacement of any failed equipment or part proven defective in material or workmanship upon manufacturer's examination. Removal and installation costs are not included under this warranty. Manufacturer's liability shall never exceed the selling price of equipment or part in question.

Manufactureer disclaims all liability for damage its products caused by improper installation, maintenance, use or attempts to operate products beyond their intended functionality, intentionally or otherwise, or any unauthorized repair. Manufacturer is not responsible for damages, injuries or expense incurred through the use of its products.

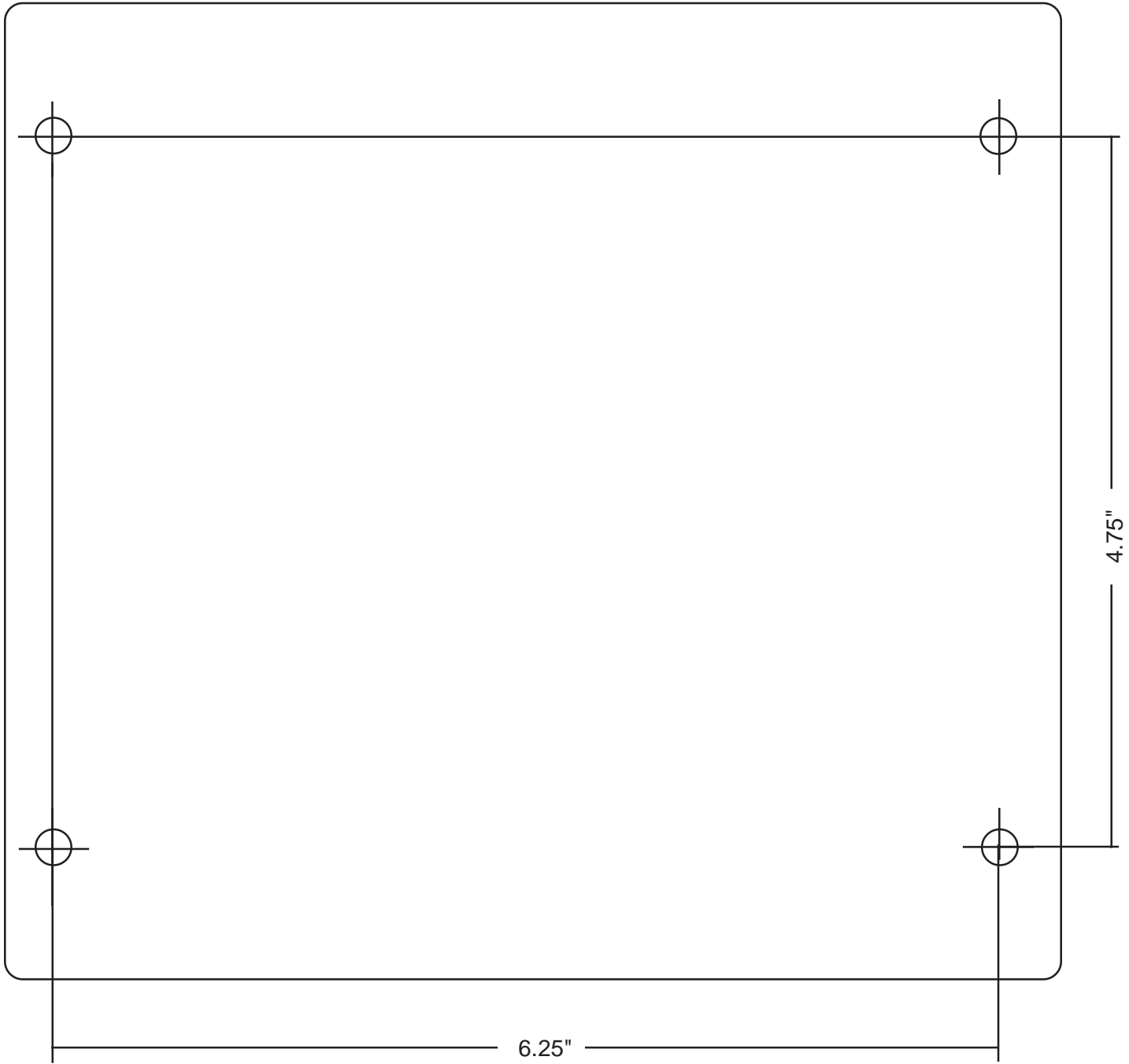
The above warranty is in lieu of other warranties, either expressed or implied. No agent of ours is authorized to provide any warranty other than the above.

30 Day Billing Memo Policy

Manufacturer maintains a unique factory exchange program to ensure uninterrupted service with minimum downtime. If your controller malfunctions, call 1-800-743-7431, provide our technician with Model and Serial Number information. If he is unable to diagnose and solve your problem over the phone, a fully warranted replacement panel will be shipped, usually within 48 hours, on a 30 Day Billing Memo.

This service requires a purchase order and the replacement panel is billed to your regular account for payment.

The replacement panel will be billed at current list price for that model less any applicable resale discount. Upon return of your old panel, credit will be issued to your account at either 100% if your unit is in warranty or at 50% if your unit was out of warranty. The total charge for this exchange is 50% of the current list price for that panel with all resale discounts applying. The exchange covers only the panel. Electrode and enclosure are not included.



(MOUNTING TEMPLATE--ACTUAL SIZE)