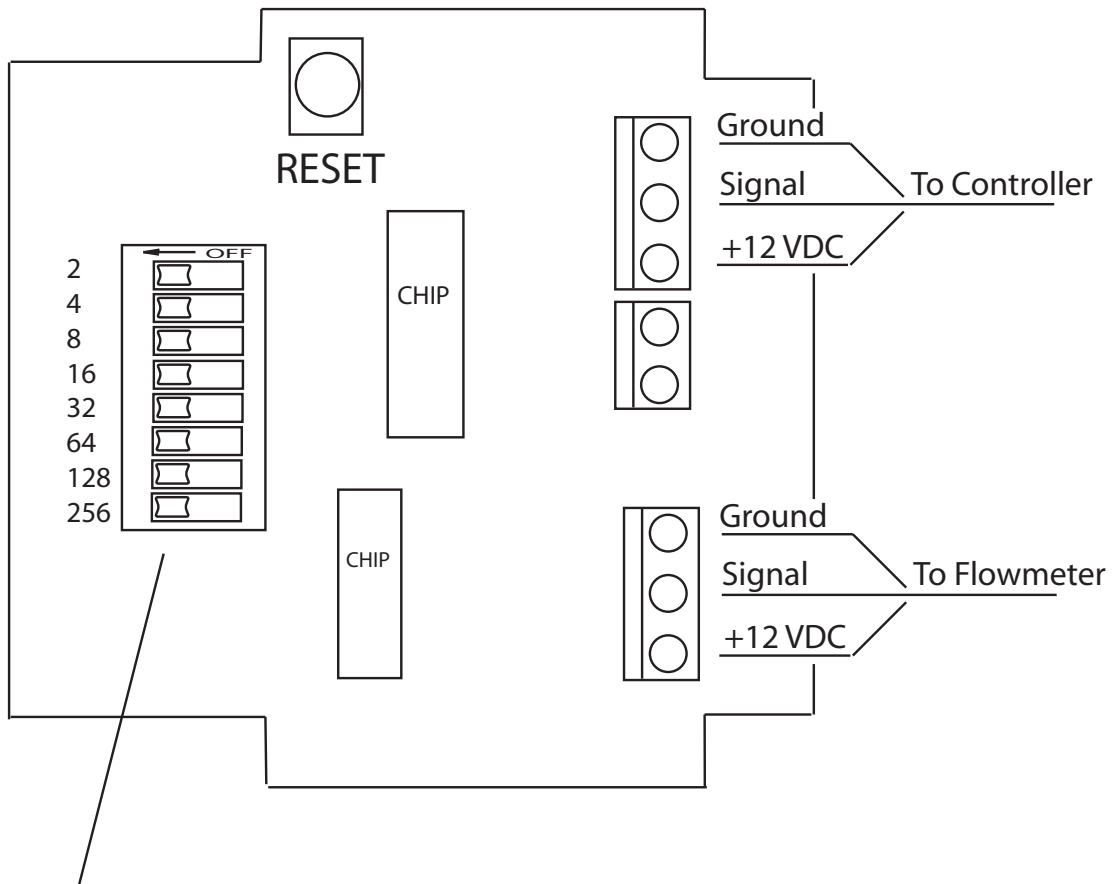


PD-1 Pulse Divider



Divider Settings

Turn a switch on to divide by that amount. More than one switch can be turned on with each one adding to the total.

For example: turn on the 2 & 8 switch for a divider of 10.

NOTE: Press the Reset button after making switch changes to store new value.

NOTE: The PD-1 requires +12 VDC to operate and passes that 12 VDC on to the flowmeter if needed.

If the flowmeter needs a different voltage do not connect to the +12 VDC going out to the flowmeter and power it from a different source.