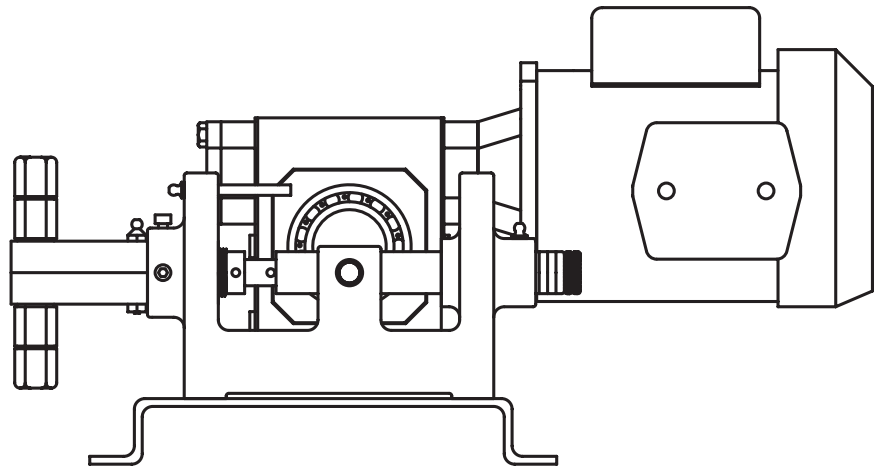


# AV10M

High Pressure Metering Pump

## *Heavy Duty Piston Pump*



## Key Features

- Single Output Adjustment
- 56C Flange Mount Drive
- Heavy Duty Oil Filled Speed Reducer
- Carbon Steel Head
- 304 SS Piston and Checks
- 1/4 HP TEFC 60 HZ Motor

## Application

Advantage Controls AV10M are positive displacement piston type metering pumps with pressure ratings up to 1000 psig.

A simple 56C flange mounted 1/4 HP TEFC motor combined with a heavy duty oil filled continuous duty speed reducer provides reliable long life.

The AV10M pumps are available in outputs up to 144 GPD at 1000 PSIG. The manual stroke length adjustment provides a simple turn down on all models.

# Models

Standard models are furnished with a carbon steel pump head and type 304 stainless steel piston and check valves and are rated for 1000 psig.

AV10M230	0.50 GPH = 12 GPD
AV10M260	1.00 GPH = 24 GPD
AV10M330	0.81 GPH = 19.4 GPD
AV10M360	1.62 GPH = 38.8 GPD
AV10M430	1.65 GPH = 39.6 GPD
AV10M460	3.30 GPH = 79.2 GPD

Consult factory for other options including output, liquid-end material and motor.

# Specifications

## Motor

- 1/4 HP 120/240 VAC TEFC, 60Hz 1750 RPM.

## Operation

- **Stroke length adjustment - 10-100%**

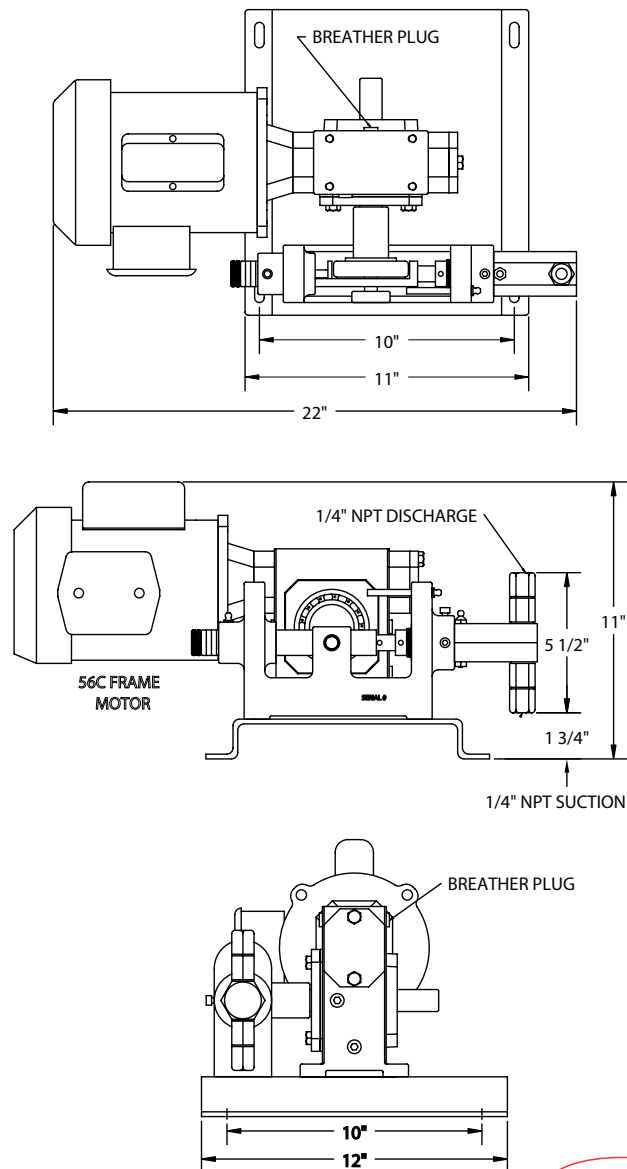
## Connections

- 1/4" FNPT

## Environment

- Ambient temperature 32° to 140°F
- Relative humidity 0 to 100%

**Shipping Weight:** Approximately 60 lbs.



**Get the Advantage**



4700 Harold Abitz Dr  
 Muskogee, OK 74403  
 800-743-7431 phone  
 888-686-6212 fax  
[www.advantagecontrols.com](http://www.advantagecontrols.com)