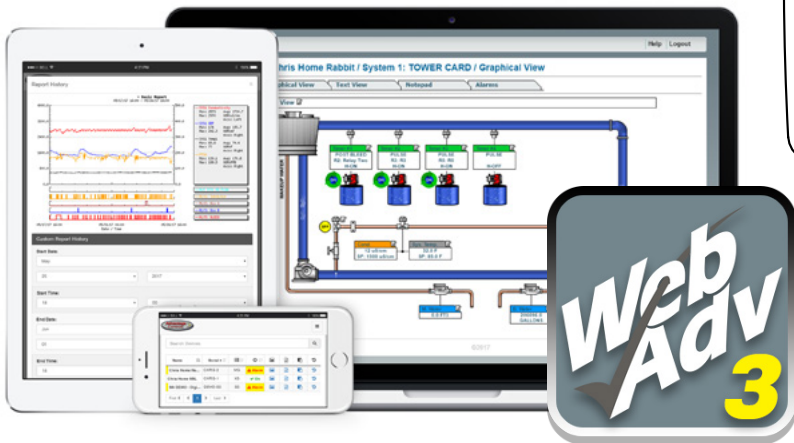
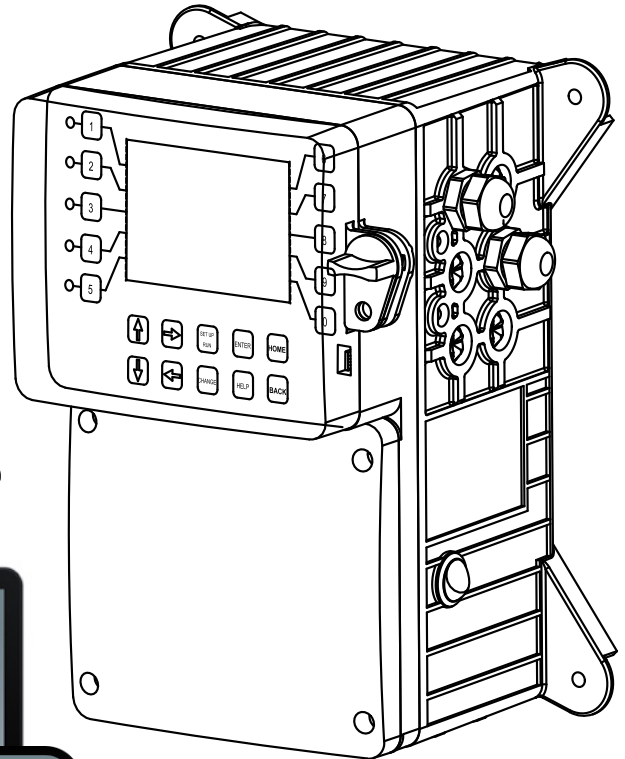


MegaTron XSi Web Monitor

*Cloud-Based Monitoring,
Control and Reporting of
Digital I/O and Analog
Signals with WebAdvantage*



Key Features

- Customizable LCD Display
- On Board History Graphs
- Simple ATM Style Menu
- Wi-Fi, Ethernet or Cellular
- BACnet or Modbus
- 5 or 10 Digital Inputs
- 5 Assignable Relay Outputs
- 4 Totalizing Flow Inputs
- Up to 8 mA Inputs
- Up to 4 mA Outputs
- Customizable Notepad
- USB History Access

Application

MegaTron XSi monitors combine industry leading user-friendliness for general purpose I/O and analog signal monitoring with the WebAdvantage cloud based remote control, monitoring and reporting service.

Units can be configured to monitor and control a wide range of digital and analog inputs. Advanced customization and relay logic allow units to meet your specific needs.

MegaTron XSi units are equipped with WebAdvantage for web-based access of settings, readings, email alarming and unique custom reporting.

Build a Model

The model number starts with XSI followed by the desired options: Example XSI-A9N8W4

Options

- A** - Conduit connection
- A3** - Liquid tights and 220-240 VAC relay card
- A4** - Prewired USA power cord, dry contact only relay card
- A9** - Prewired USA power cord; no relays
- A24** - Prewired USA power cord; no relays with 24 VDC power supply in housing
- H11** - Communications card with Modbus via ethernet instead of standard comm card
- H21** - Communications card with BACnet via ethernet instead of standard comm card
- L** - (5) additional digital alarm inputs
- N4** - (4) 4-20mA isolated inputs
- N8** - (8) 4-20mA isolated inputs (O4 is not available with the N8 option)
- O4** - (4) 4-20mA isolated outputs
- W4** - (4) totalizing flow meter inputs with volume tracking and alarming
- Y** - ETL agency listing
- Z** - Black cover instead of clear

NOTES:

1. Base XSi units have 5 digital inputs, 5 powered relays with WebAdvantage comm card.
2. Communications card can be connected to internet and WebAdvantage via CAT5 or Wi-fi with DHCP or static IP.
3. External cellular routers and data plans are available.
4. All units include 10 customizable notepad fields for manual reading test entry. These entries can generate alarms and are stored historically for graphing and reporting.
5. Prewired units are supplied with an 8' (248.84 cm) power cord and 8" (20.32 cm) output receptacles.

Advantage Controls offers a wide range of monitoring, control and pumping solutions:

- **Conductivity**
- **Turbidity**
- **Corrosion Rate**
- **Flow**
- **Cellular Connect**
- **Temperature**
- **Fluorometer**
- **Tank Level**
- **pH/ ORP**
- **Pressure**

Visit www.advantagecontrols.com to learn more.

Specifications

Electrical Input: 95-240 VAC, 50/60 Hz

Relay Outputs: Equal to input voltage (95-240 VAC) when configured as a powered relay and fused at 2.5A per relay. If configured as a dry contact the pass through current is limited to 2.5A at 28 VDC.

Display: 240 x 128 Graphic LCD

Digital Inputs: From open collector/open drain output or a dry contact. Inputs have 10K Ω pullup to 3.3 VDC.

Flow Totalizing Inputs: From open collector/open drain output or dry contact. Inputs use 10K Ω pullup to 5 VDC with a max input rate of 2.5 KHz.

mA Inputs: Optical isolation, 250 Ω / 5 VDC @ 20 mA. Loop voltage to not exceed 30 VDC.

mA Outputs: With non-isolated 12 VDC power from unit max load = 400 Ω . With isolated external 24 VDC power supply, max load = 800 Ω .

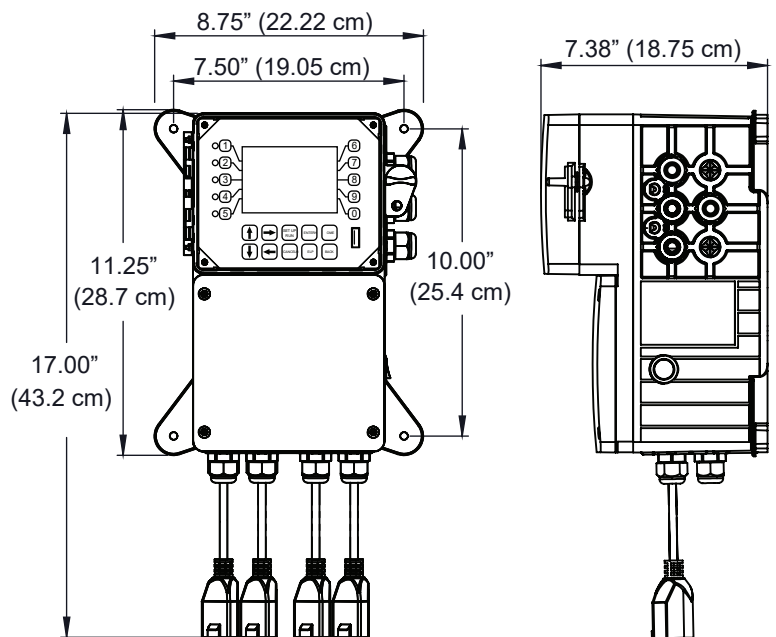
Enclosure: Heavy duty NEMA 4X style high impact ABS with padlockable gasketed Lexan cover.

Environment

Ambient temperature: 0° to 125°F (-17 to 52°C)

Relative humidity: 0 to 100%

Shipping Weight: Approximately 8 lbs. (3.62 kg)



Get the Advantage



4700 Harold-Abitz Dr
Muskogee, OK 74403
800-743-7431 phone
888-686-6212 fax
www.advantagecontrols.com