

# MicroTron

## Series C

Chemical Metering Pump

### *Manual Stroke Adjustment*



### Key Features

- Single Output Adjustment
- NEMA 4X Style Enclosure
- Guided Double Ball Checks
- Circuit Protection
- Thermal Overload Protection
- Priming Valve Standard
- Microprocessor Fixed Speed
- 2 Year Warranty

### Application

MicroTron Series C metering pumps provide reliable, economical chemical addition for a wide variety of applications.

Metering accuracy is achieved with microprocessor controlled preset speed and double ball guided checks. A rugged thermoplastic NEMA 4X style housing allows for outdoor installations.

Series C pumps are available in outputs up to 30 GPD and 200 PSIG. The manual stroke length adjustment provides a simple turn down on all models.

# Build a Model

## Model C \_\_\_\_\_ - \_\_\_\_\_

Build your model number by selecting one code from each step. Example: C105X1-KVC1

### STEP 1 ..... OUTPUT (MAXIMUM)

<b>105</b>	=	5 GPD / 0.80 LPH	at	110 PSI (7.5 bar)
<b>110</b>	=	10 GPD / 1.60 LPH	at	110 PSI (7.5 bar)
<b>115</b>	=	15 GPD / 2.37 LPH	at	110 PSI (7.5 bar)
<b>120</b>	=	20 GPD / 3.15 LPH	at	110 PSI (7.5 bar)
<b>130</b>	=	30 GPD / 4.70 LPH	at	110 PSI (7.5 bar)
<b>202</b>	=	2 GPD / 0.31 LPH	at	200 PSI (13.8 bar)
<b>205</b>	=	5 GPD / 0.80 LPH	at	200 PSI (13.8 bar)
<b>210</b>	=	10 GPD / 1.60 LPH	at	200 PSI (13.8 bar)
<b>215</b>	=	15 GPD / 2.40 LPH	at	200 PSI (13.8 bar)
<b>217</b>	=	17 GPD / 2.60 LPH	at	200 PSI (13.8 bar)

### STEP 2 ..... CONTROL OPTIONS

- X** = Standard
- E** = External Pace
- F** = Hall Effects Meter Input

### STEP 3 ..... VOLTAGE

- 1** = 120 Volt USA Plug
- 2** = 240 Volt
- 3** = 240 Volt Specified Plug

### STEP 4 ..... HEAD MATERIAL

- K** = Kynar
- M** = Kynar head w/ SS valve bodies \*
- S** = Stainless \*

### STEP 5 ..... SEAT MATERIAL

- V** = Viton
- F** = Teflon
- H** = Hypalon

### STEP 6 ..... CHECK BALL

- C** = Ceramic
- D** = Ceramic/single on discharge (pressure relief)
- S** = Stainless

### STEP 7 ..... CONNECTIONS

- 1** = 3/8" (9.525 mm) Tubing - 75-200 PSI
- 2** = 1/4" (6.35 mm) Tubing - 200 PSI
- P** = 1/4" (6.35 mm) MNPT Connections
- U** = 3/8" black UV tubing, 200 PSI
- V** = 3/8" tubing w/clear suction, 200 PSI

For other options, see Price List or consult factory.

\* **Note:** M & S head material selections must have the P connection option and do not include a foot and injection valve or tubing.

# Specifications

## Electrical

- **Input** - 120 VAC or 240 VAC @ 50/60 Hz

## Operational

- **Stroke length adjustment** - 10-100%
- **Stroke speed frequency** - Preset

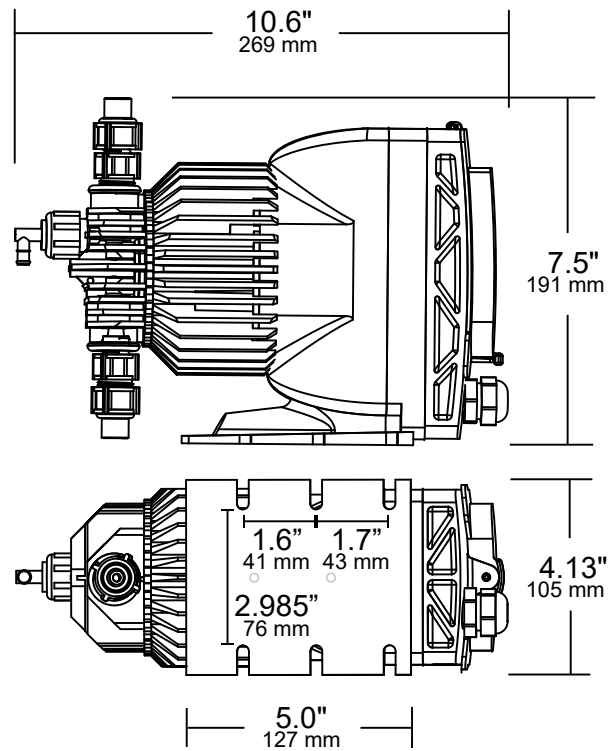
## Enclosure

Heavy duty NEMA 4X style high impact thermoplastic with clear lexan cover.

## Environment

- **Max temperature** 140°F (60°C)
- **Relative humidity** 0 to 100%

**Shipping Weight:** Approx. 10 lbs. (4.536 kg)



Kynar Head Shown

# Accessories

Standard models include everything needed for immediate start-up: injection, foot and priming valve assemblies plus suction and discharge tubing.

**Get the Advantage**



4700 Harold Abitz Dr  
 Muskogee, OK 74403  
 800-743-7431 Phone  
 888-686-6212 Fax  
[www.advantagecontrols.com](http://www.advantagecontrols.com)