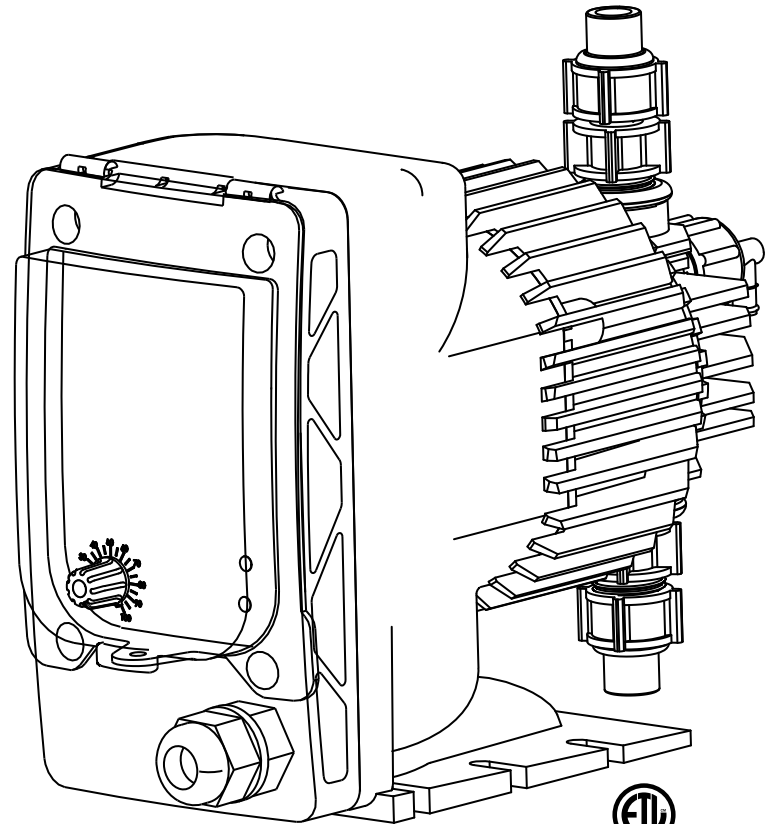


MicroTron

Series G

Chemical Metering Pump

***Digitally
Accurate
Speed
Adjustment***



Key Features

- NEMA 4X Style Enclosure
- Guided Double Ball Checks
- Circuit Voltage Protection
- Thermal Overload Protection
- Priming / Degassing Valve
- LED Indicating Lights
- Splash Cover Over Controls
- 2 Year Warranty

Application

MicroTron Series G metering pumps provide reliable, economical chemical addition for a wide variety of applications.

Precise stroking speed is maintained with a digitally accurate speed adjustment. Metering accuracy is achieved with double ball guided checks. A NEMA 4X style housing allows for outdoor installations.

Series G pumps are available in outputs up to 45 GPD (7.09 LPH) and 250 PSI (17.2 bar). The digital speed adjustment provides a wide turn down capability on all models.

Build a Model

Model G _ _ _ _ _ - _ _ _ _ _ - _

Build your model number by selecting one code from each step. Example: G145X2-KFCV-Q

STEP 1 OUTPUT (MAXIMUM)

115	15 GPD / 2.37 LPH at 150 PSI (10.3 bar)
130	30 GPD / 4.70 LPH at 110 PSI (7.6 bar)
145	45 GPD / 7.09 LPH at 75 PSI (5.2 bar)
217	17 GPD / 2.60 LPH at 250 PSI (17.2 bar)

STEP 2 CONTROL OPTIONS

X Standard

STEP 3 VOLTAGE

2	240 Volt
7	240 Volt Australian plug

STEP 4 HEAD MATERIAL

K Kynar

STEP 5 SEAT MATERIAL

F	Teflon
H	Hypalon
V	Viton

STEP 6 CHECK BALL

C Ceramic

STEP 7 CONNECTIONS

V	3/8" (9.53mm) with Vinyl Suction Tubing (110 or 250 psi)
2	1/4" (6.35mm) Tubing Standard - 250 psi

STEP 8 SPECIAL OPTIONS

4	Blue housing
7	Red housing
Q	Add stroke length adjustment

For other options, see Price List or consult factory.

Accessories

Standard models have a green housing and include everything needed for immediate start-up: injection, foot and priming valve assemblies plus suction and discharge tubing.

Specifications

Electrical

- Input - 120 VAC or 240 VAC @ 50/60 Hz

Operational

- Stroke frequency - 1-125 strokes/minute for 15 (2.37 LPH), 30 (4.73 LPH) & 17 (2.68LPH) GPD; 1 - 160 strokes / minutes for the 45 (7.09 LPH) GPD

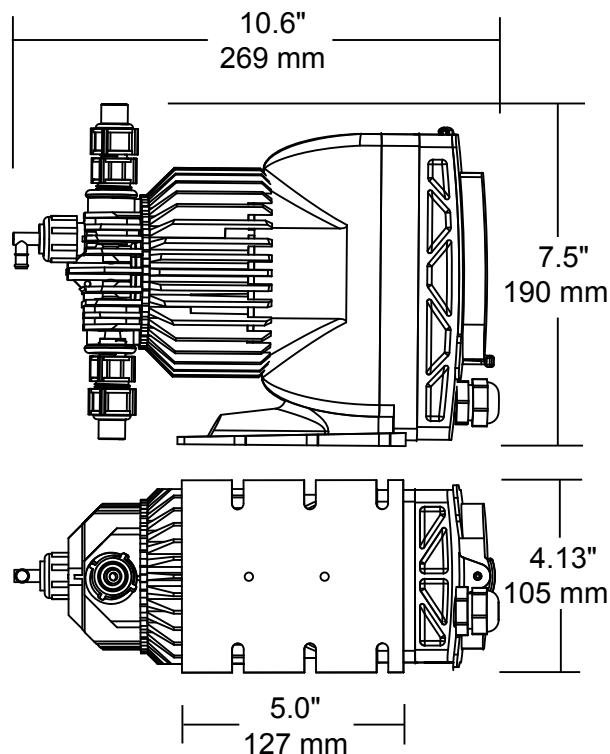
Enclosure

Heavy duty NEMA 4X style high impact green thermoplastic with clear lexan cover.

Environment

- Max temperature 140°F(60°C)
- Relative humidity 0 to 100%

Shipping Weight: Approximately 10 lbs. (4.54kg)



Get the Advantage

