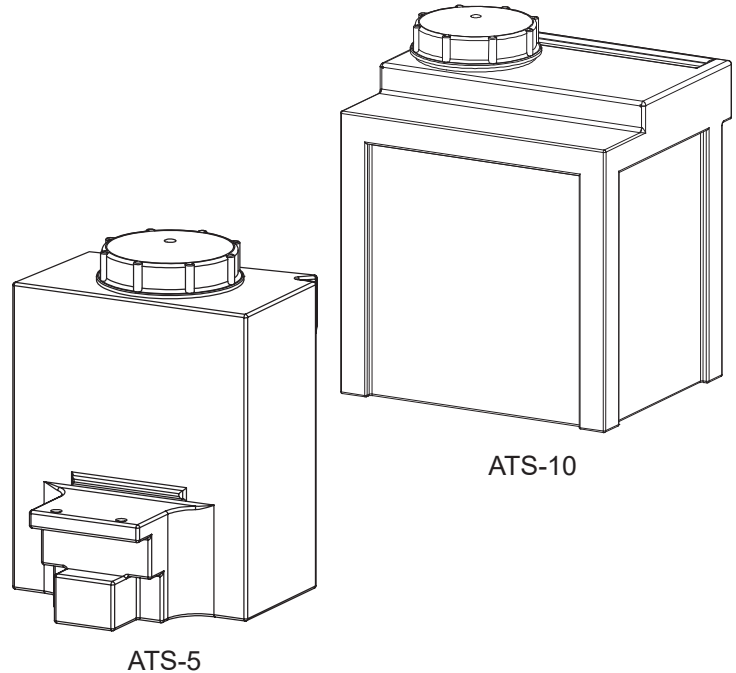


ATS Tanks

Tank and Pump Mounting System



Key Features

- Industrial Grade Polyethylene
- 5-10 Gallon Capacity
- Convenient Pump Mounting
- Wall Mountable
- Heavy Duty Threaded Lid
- Spring Loaded Vent
- Flooded Suction
- Incremental Markings (ATS-5)
- Large Refill Opening

Application

The ATS molded tank system provides an integrated chemical metering pump mounting bracket and solution tank in one unit.

ATS tanks have a large, heavy duty, vented and threaded lid for easy refill. Optional 1/2 FNPT weldlets offer secure mounting of pump suction and return lines plus a convenient drain point.

Designed for wall mounting or free standing installations, the ATS tank system provides a safe professional installation of chemical feed systems.

Model

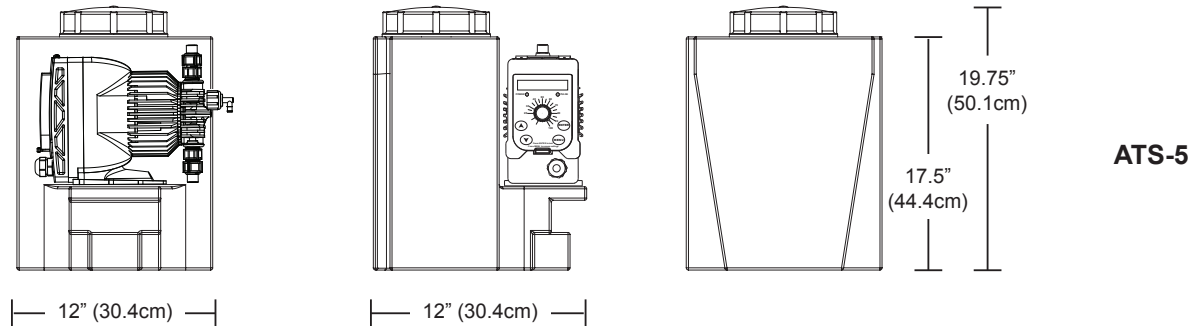
- ATS-5** 5 gallon tank with lid and molded-in pump shelf
- ATS-10** 10 gallon tank with lid

OPTIONS

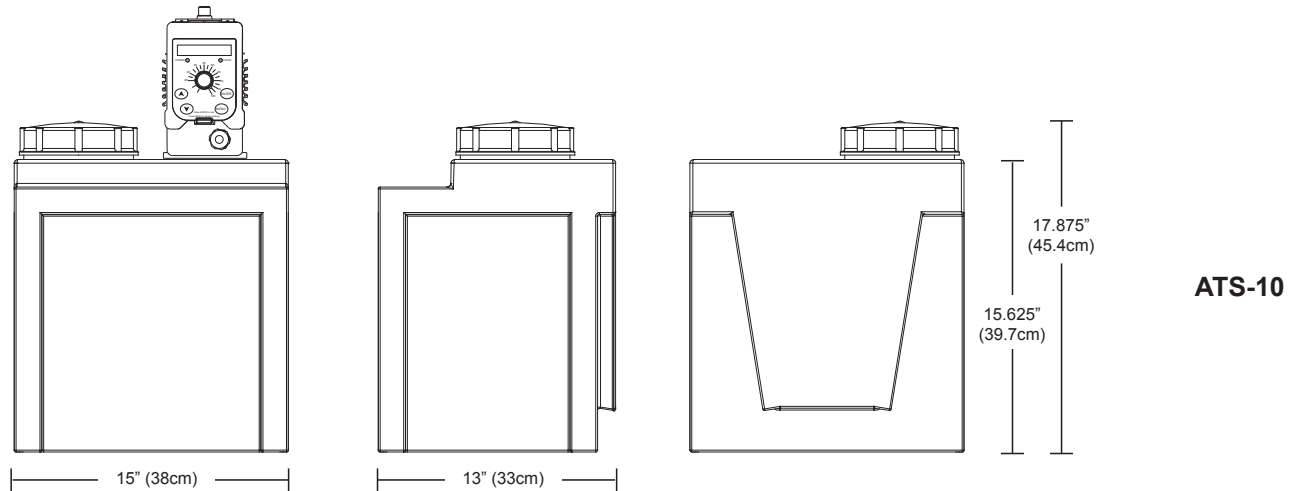
- B1** Bulkhead fitting Kynar mounted, 3/8" tubing
- B2** Bulkhead fitting Kynar mounted, 1/4" tubing
- C** Controller bracket instead of pump on ATS-5
- D1** 3/8" Bulkhead fitting with PVC shut off w/ Buna seal
- D2** 1/4" Bulkhead fitting with PVC shut off w/ Buna seal
- F** Flat top with 2" bung
- L** 2" bung for level wand
- M** Premount pump (ordered separate)
- P** Non Advantage pump adapter plate
- P1** Pump mount plate for top of ATS-10
- S** MNPT drain valve
- T** Pump priming tube return fitting
- V** 1/4" solenoid valve with Y-strainer prewired 8' cord
- W** Stainless Steel wall mounting bracket

INSTALLATION

The optional wall mounting bracket (W) provides a V shaped stainless steel bracket and hardware for mounting to a wall. The tank then slips into the bracket.



ATS-5



ATS-10

Specifications

Construction

The tank is made of linear polyethylene (LLDPE) which is UV stabilized and FDA approved. It has an average wall thickness of 1/4 inch. The lid opening is 5 1/4" I.D.

- Lid** Polypropylene
- Bulkhead (opt.)** Kynar
- Shut-off (opt.)** PVC

Dimensions

ATS-5 (tank only):	ATS-10 (tank only):
W 12" (30.4cm)	W 15" (38cm)
H 19.75" (50.1cm)	H 17.875" (45.4cm)
D 12" (30.4cm)	D 13" (33cm)

Shipping Weight

- ATS-5**
- Tank only 10 lbs
- Tank and Wall Bracket 11.5 lbs

- ATS-10**
- Tank only 8 lbs
- Tank and Wall Bracket 9.5 lbs

Get the Advantage



4700 Harold Abitz Dr
 Muskogee, OK 74403
 800-743-7431 Phone
 888-686-6212 Fax
www.advantagecontrols.com