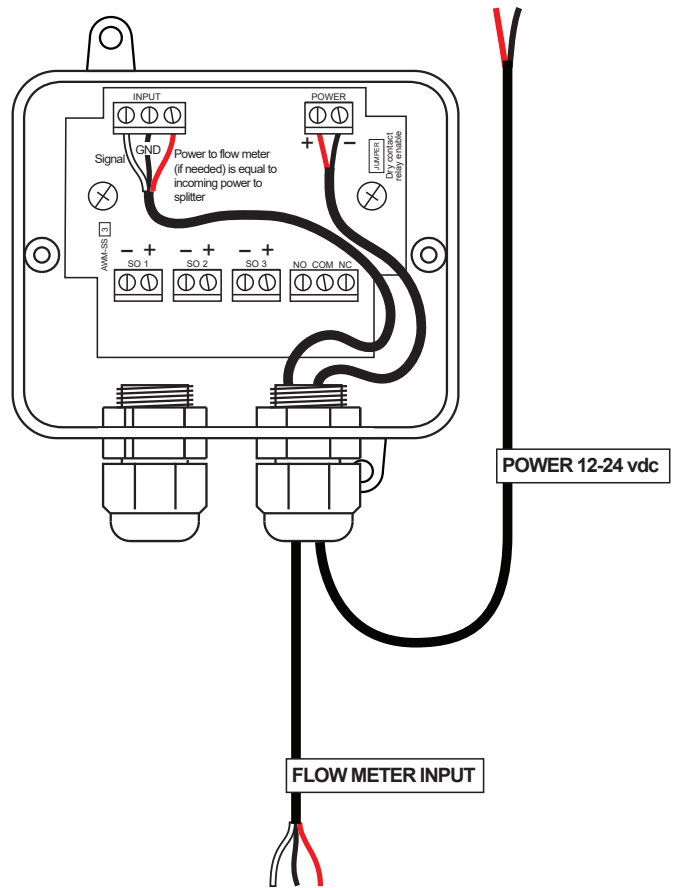


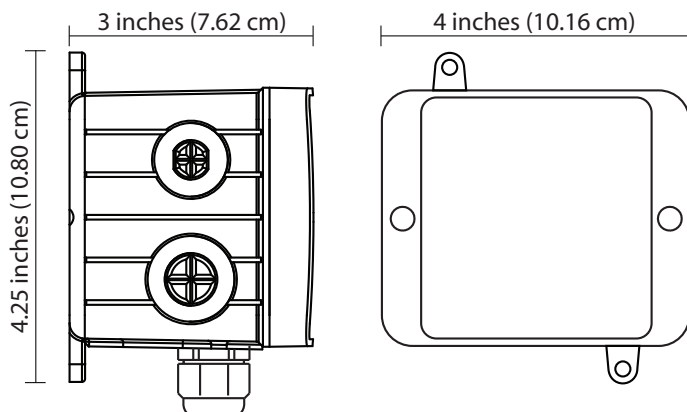
AWM-SS-3 AWM-SS-4

Isolated Signal Splitter



Specifications

- Power: 12-24 VDC
- Outputs: (3) open collector, optically isolated outputs
- AWM-SS-4 has a fourth dry contact relay output, SPDT-NO & NC, 250 mA <50 Hz



Application

The AWM-SS-3 and AWM-SS-4 water meter signal splitters enable a single water meter signal to be isolated and sent to three different devices.

Options

- A 120 VAC to 12 VDC transformer