

PSDC-24-Q

24 VDC Power Supply for:

- 4-20mA Sensors
- Valves
- General Use



Models

- PSDC-24-Q** 24 VDC power supply for 1-4 two-wire sensors
- PSDC-24-Q4** 24 VDC power supply for 4 sensors with cables

Options

- A** No USA cord

Application

PSDC-24-Q power supplies convert 100-240 VAC to 24 VDC power for powering low-voltage DC powered devices and sensors.

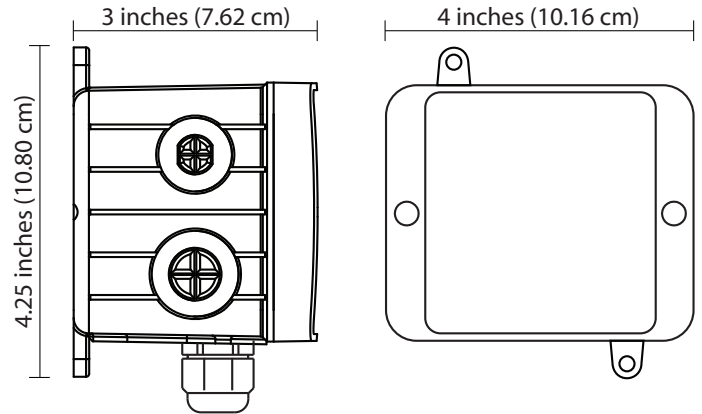
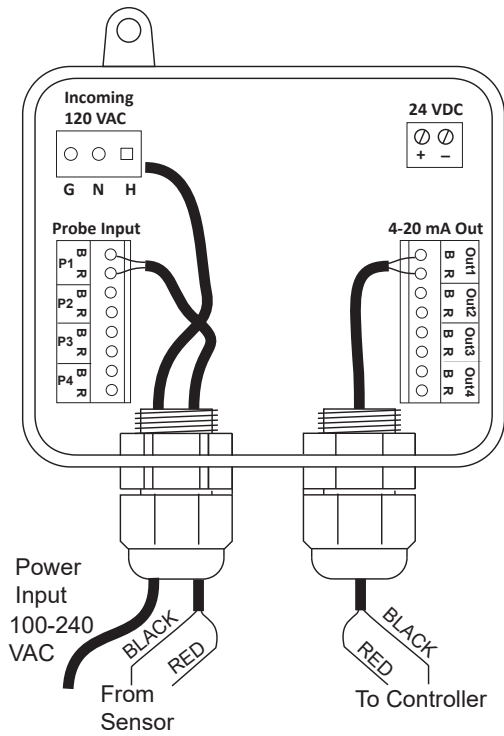
The PSDC-24-Q provides an easy wiring configuration to supply 24 VDC for 1 to 4 two-wire mA sensors, simplifying the powering of sensor and mA input card. An additional 24 VDC connection for general use is also available.

New PSDC-24-Q, PSDC-24-Q4

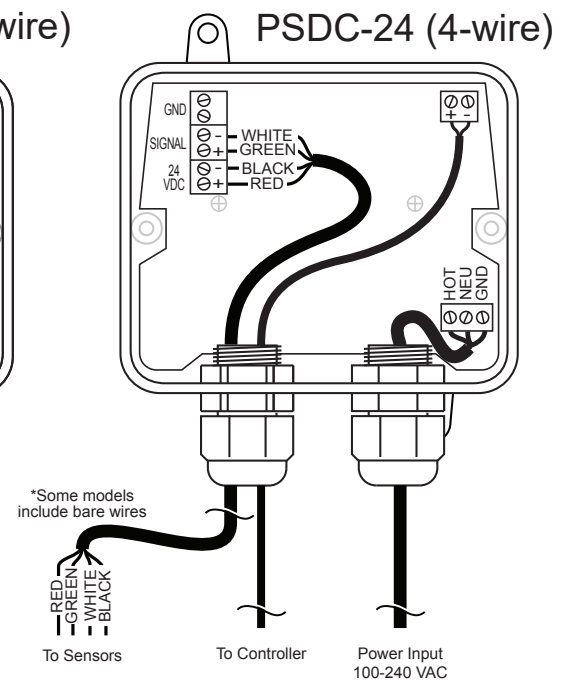
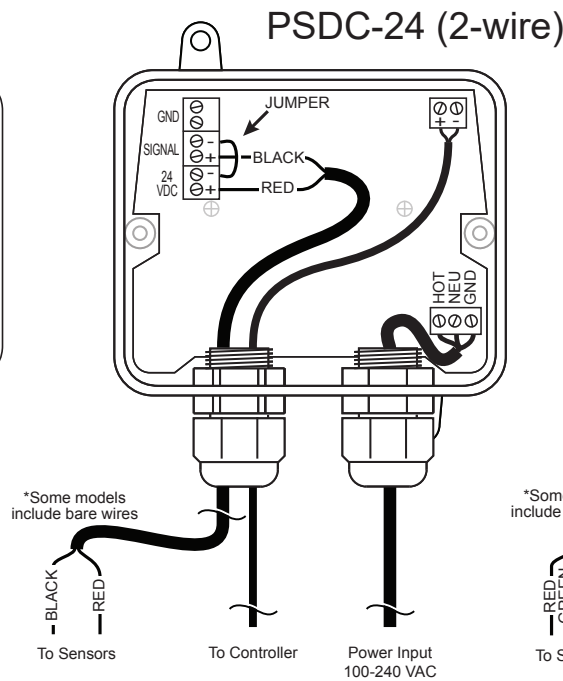
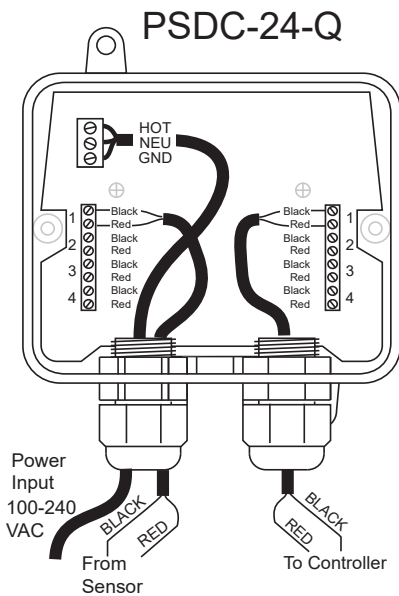
Specifications

- 100-240 VAC to 24 VDC power supply
- Current = 833 milliamps

Note: Discontinued Models Current = 420 mA



Discontinued Models PSDC-24 and PSDC-24-Q



Get the Advantage



4700 Harold-Abitz Dr
Muskogee, OK 74403
800-743-7431 phone
888 686-6212 fax
www.advantagecontrols.com