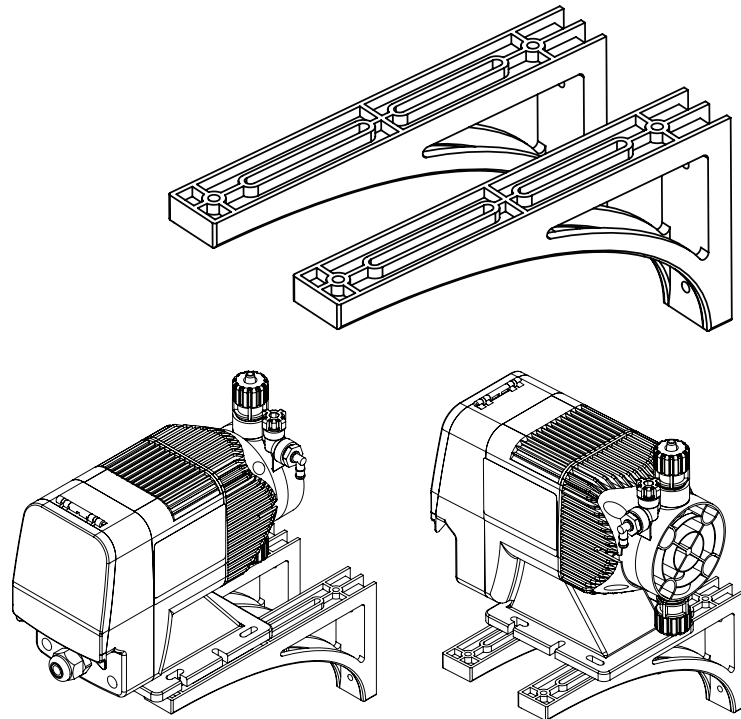


PUMP-BRACKET

Universal Pump Mounting Bracket



Key Features:

- Saves Time
- Saves Money
- Simplifies Installations
- Professional Appearance
- Chemical Resistant
- Keeps Pump Secure
- Includes Mounting Hardware

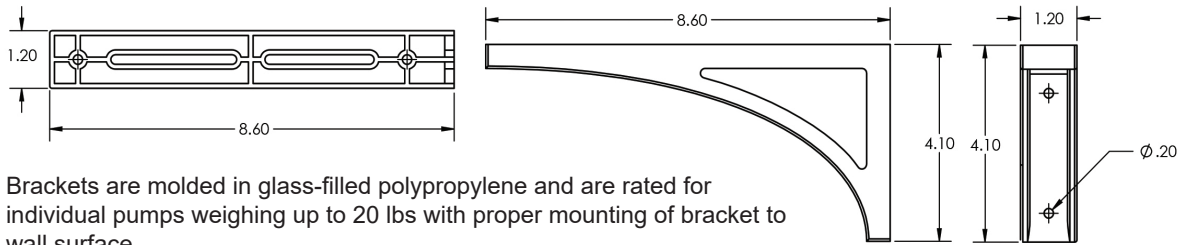
Description

Give all of your pumps a secure and professional installation. The unique dual mounting slot design with two individual brackets allows the PUMP-BRACKET to work with most brands of pumps.

Constructed of chemical resistant industrial thermoplastic and provided with mounting hardware, the sturdy bracket insures your metering pump will stay safely and securely installed.

Bracket Dimensions

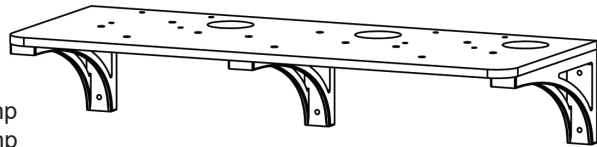
The part number PUMP-BRACKET includes two individual brackets.
Dimension are:



Brackets are molded in glass-filled polypropylene and are rated for individual pumps weighing up to 20 lbs with proper mounting of bracket to wall surface.

Pump Mounting Shelves

Preassembled pump mounting shelves are also available using pump brackets and a polyethylene panel with suction tubing holes. All pump mount shelves are 9.25" deep (23.50 cm).



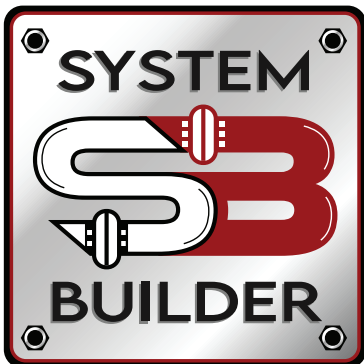
Models

- PMS-02**..... Two pumps shelf, 15" long (38.1 cm)
- PMS-03**..... Three pumps shelf, 24" long (60.96 cm)
- PMS-04**..... Four pumps shelf, 32" long (81.28)

Options

- B** Mounts shelf to 18" tall poly back board (shelf mounted in the middle)
- N** No mounting holes
- P1** Pulsafeeder A+ pump mounting pattern (only available with S option)
- S** Stainless steel mounting brackets on PMS
- U** Replaces white poly with 1/2" blue poly

System Builder & Parts Identifier



Our free System Builder lets you select and build tower and boiler controllers, metering pumps, pre-fabs, and all related accessories. A **complete item list** and **pre-fab drawing** is provide **plus** you can **save your builds** for future access and emailing.

System Builder also includes Parts Identifier. Just enter the controller or pump model number and a **complete list of replacement parts** is provided. **Login & try today!**
https://www.advantagecontrols.com/sb_login.php

Get the Advantage