

MicroTron

Series C

Chemical Metering Pump

Manual Stroke Adjustment



Key Features

- Single Output Adjustment
- NEMA 4X Style Enclosure
- Guided Double Ball Checks
- Circuit Protection
- Thermal Overload Protection
- Priming Valve Standard
- Microprocessor Fixed Speed
- 2 Year Warranty

Application

MicroTron Series C metering pumps provide reliable, economical chemical addition for a wide variety of applications.

Metering accuracy is achieved with microprocessor controlled preset speed and double ball guided checks. A rugged thermoplastic NEMA 4X style housing allows for outdoor installations.

Series C pumps are available in outputs up to 30 GPD and 250 PSIG. The manual stroke length adjustment provides a simple turn down on all models.

Build a Model

Model C _____ - _____

Build your model number by selecting one code from each step. Example: C105X1-KVC1

STEP 1 OUTPUT (MAXIMUM)

105	=	5 GPD / 0.80 LPH	at	110 PSI (7.5 bar)
110	=	10 GPD / 1.60 LPH	at	110 PSI (7.5 bar)
115	=	15 GPD / 2.37 LPH	at	110 PSI (7.5 bar)
120	=	20 GPD / 3.15 LPH	at	110 PSI (7.5 bar)
130	=	30 GPD / 4.70 LPH	at	110 PSI (7.5 bar)
202	=	2 GPD / 0.31 LPH	at	250 PSI (17.2 bar)
205	=	5 GPD / 0.80 LPH	at	250 PSI (17.2 bar)
210	=	10 GPD / 1.60 LPH	at	250 PSI (17.2 bar)
215	=	15 GPD / 2.40 LPH	at	250 PSI (17.2 bar)
217	=	17 GPD / 2.60 LPH	at	250 PSI (17.2 bar)

STEP 2 CONTROL OPTIONS

- X** = Standard
- E** = External Pace
- F** = Hall Effects Meter Input

STEP 3 VOLTAGE

- 1** = 120 Volt USA Plug
- 2** = 240 Volt
- 3** = 240 Volt Specified Plug

STEP 4 HEAD MATERIAL

- K** = Kynar
- M** = Kynar head w/ SS valve bodies¹
- S** = Stainless¹

STEP 5 SEAT MATERIAL

- V** = Viton
- F** = Teflon
- H** = Hypalon

STEP 6 CHECK BALL

- C** = Ceramic
- D** = Ceramic/single on discharge (pressure relief)
- S** = Stainless

STEP 7 CONNECTIONS²

- 1** = 3/8" (9.525 mm) tubing rated to 200 PSI
- 2** = 1/4" (6.35 mm) tubing rated to 300 PSI
- P** = 1/4" (6.35 mm) MNPT Connections
- U** = 3/8" black UV tubing rated to 200 PSI
- V** = 3/8" tubing rated to 200 PSI, clear suction

For other options, see Price List or consult factory.

- Notes:**
- M & S head material selections must have the P connection option and do not include a foot and injection valve or tubing.
 - Tubing selection may impact pump rating.

Get the Advantage

Specifications

Electrical

- **Input** - 120 VAC or 240 VAC @ 50/60 Hz

Operational

- **Stroke length adjustment** - 10-100%
- **Stroke speed frequency** - Preset

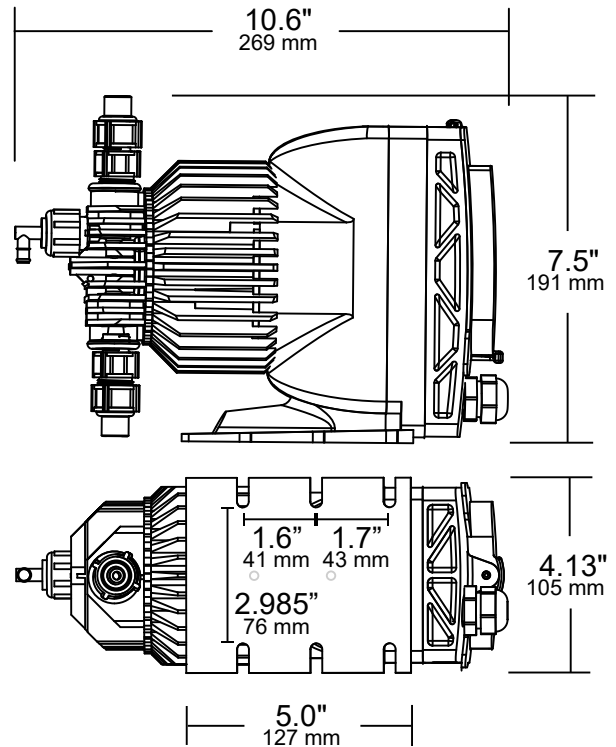
Enclosure

Heavy duty NEMA 4X style high impact thermoplastic with clear lexan cover.

Environment

- Max temperature 140°F (60°C)
- Relative humidity 0 to 100%

Shipping Weight: Approx. 10 lbs. (4.536 kg)



Kynar Head Shown

Accessories

Standard models include everything needed for immediate start-up: injection, foot and priming valve assemblies plus suction and discharge tubing.